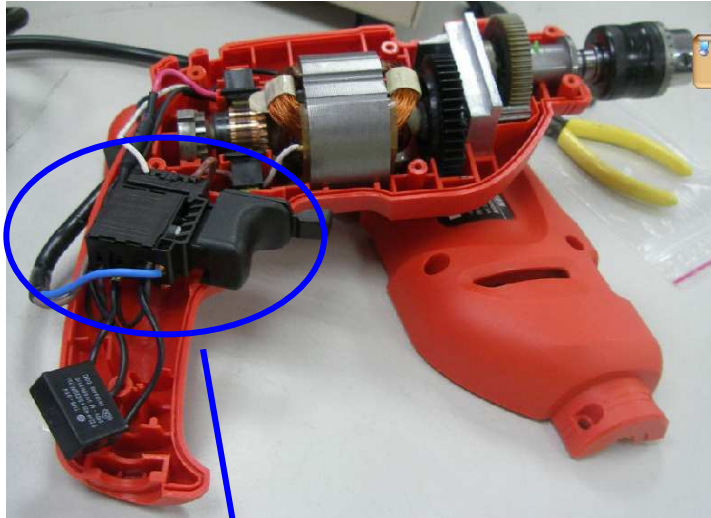
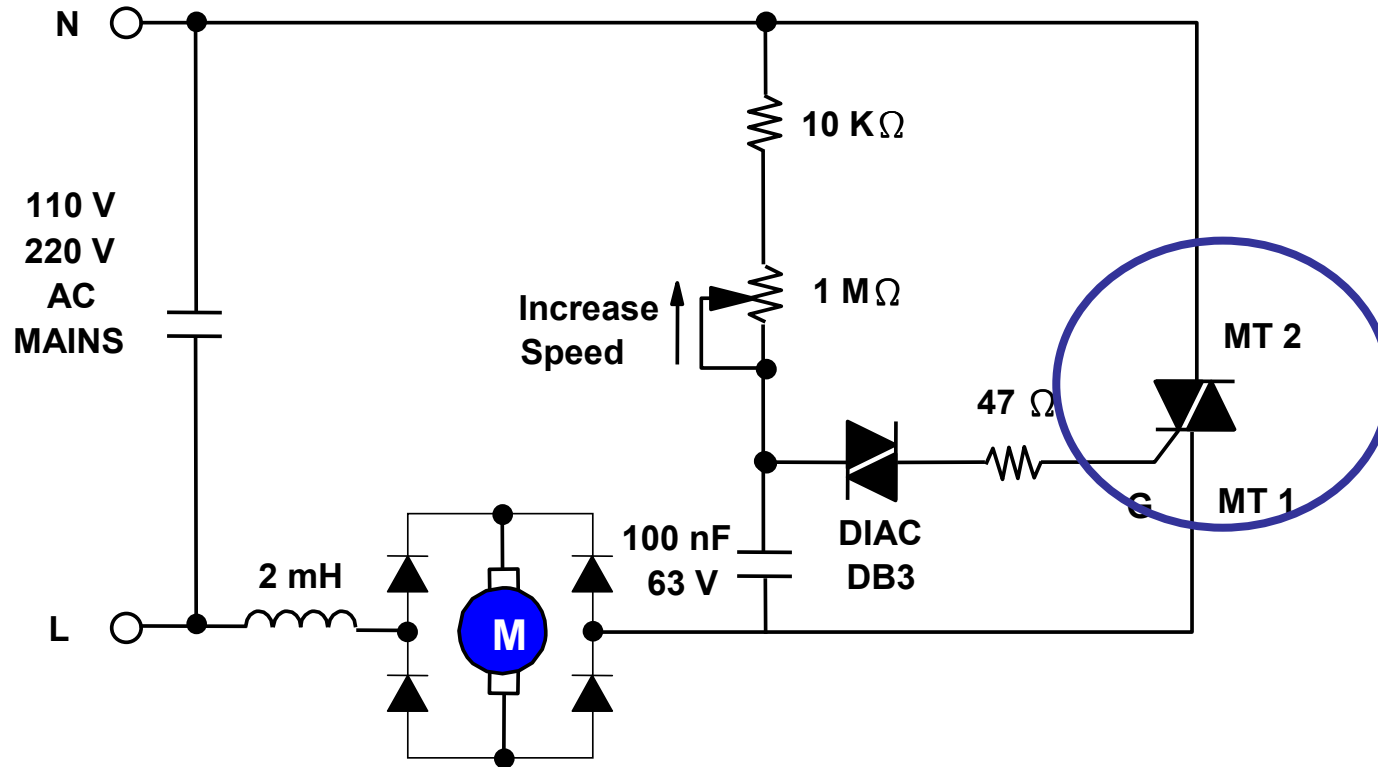


AC Power Tool



- MFG : Black & Decker
- INPUT : AC220V,50HZ
- OUTPUT : 500W
- Current : 2.3A
- RPM : 0~2800

AC Power Tool



	Amper	Device	Package
TRIAC	6A	T6M10T600B	TO-220AB
	8A	T8M25F600B	TO-220AB
	12A	T12M35T600B	TO-220AB
	16A	T16M35T600B	TO-220AB

TRIAC/SCR Product Portfolio

