

AE2 EV Fuse



FEATURES:

- 500 VDC automotive fuse
- Rated Current: 10-50 A
- Max. BC: 20 kA@500 VDC
Min. BC: 2In@500 VDC
- Time Constant: 1-3 ms
- Dimensions: 10x38 mm
- General purpose fuse for EV/HEV auxiliary protection
- Ref. To UL 248-20; ISO 8820-8; GB/T 31465.6
- Approval: TÜV and UL
- Recommended fuse holder: BH114

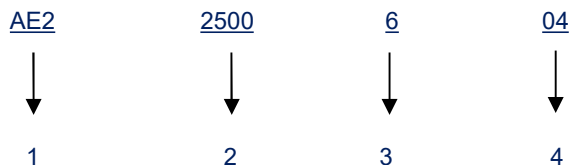
ELECTRICAL SPECIFICATIONS

Part Number / Configurations				Rated Current	Ampere Code	Rated Voltage	Breaking Capacity	Certifications	
Cartridge	Central Mount	Level Mount	PCB Mount					TÜV	UL
AE22100607	AE22100604	AE22100605	AE22100606	10 A	2100	500 VDC	20 kA@500 VDC	○	●
AE22150607	AE22150604	AE22150605	AE22150606	15 A	2150			●	●
AE22200607	AE22200604	AE22200605	AE22200606	20 A	2200			●	●
AE22250607	AE22250604	AE22250605	AE22250606	25 A	2250			●	●
AE22300607	AE22300604	AE22300605	AE22300606	30 A	2300			●	●
AE22350607	AE22350604	AE22350605	AE22350606	35 A	2350			●	●
AE22400607	AE22400604	AE22400605	AE22400606	40 A	2400			●	●
AE22500607	AE22500604	AE22500605	AE22500606	50 A	2500			●	●

TIME VS CURRENT CHARACTERISTIC

Rated Current	110%	135%	150%	200%	300%	500%
10-50 A	>4 h	150s - 1h	10-1000 s	0.5-100 s	0.1-15s	0.05-1 s

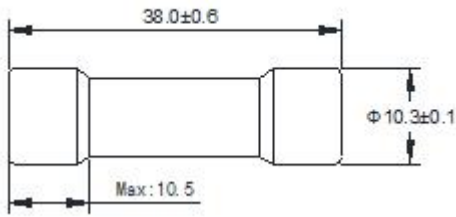
PART NUMBER SYSTEM



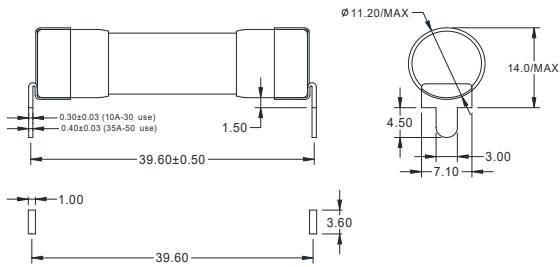
- 1Product Series AE2
- 2 Ampere Code 50 A (see ampere code column of electrical specifications)
- 3 Rated Voltage 6 - 500 V
- 4 Supplementary Code 04: Central Mount; 05: Level Mount; 06: PCB Mount; 07: Cartridge

DIMENSIONS (mm)

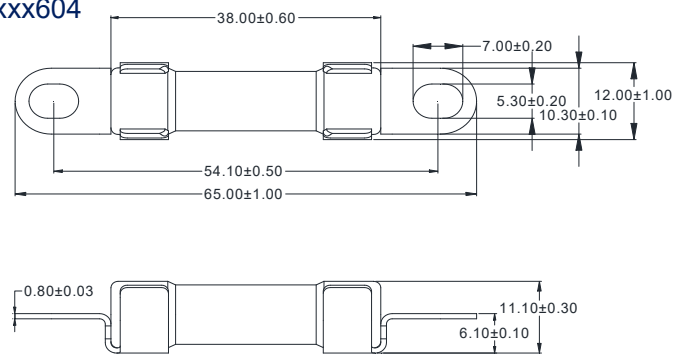
AE2xxxx607



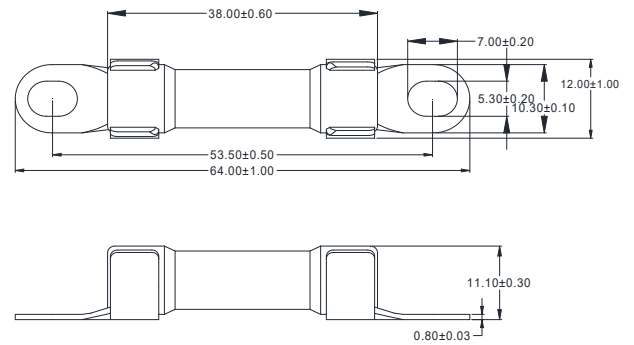
AE2xxxx606



AE2xxxx604



AE2xxxx605



TIME CURRENT CURVE

