

AE3 EV Fuse



FEATURES:

- 850 VDC automotive fuse
- Rated Current: 5-50 A
- Max. BC: 20 kA@850 VDC
Min. BC: 2In@850 VDC
- Time Constant: 1-3 ms
- Size: 10x38 mm
- General purpose fuse for EV/HEV auxiliary protection
- Ref. to UL248-20; ISO 8820-8; JASO D622; GB/T 31465.6
- Recommended fuse holder: BH114

ELECTRICAL SPECIFICATIONS

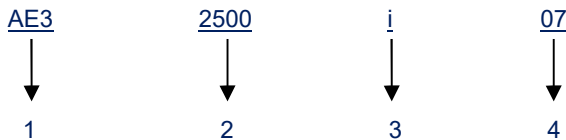
| Part Number / Configurations | | | | | Rated Current | Ampere Code | Rated Voltage | Breaking Capacity |
|------------------------------|---------------|-------------|------------|------------|---------------|-------------|---------------|-------------------|
| Cylindrical | Central Mount | Level Mount | PCB 2P | PCB 4P | | | | |
| AE31500i07 | AE31500i04 | AE31500i05 | AE31500i06 | AE31500i08 | 5A | 1500 | 850 VDC | 20 kA @850 VDC |
| AE31800i07 | AE31800i04 | AE31800i05 | AE31800i06 | AE31800i08 | 8A | 1800 | | |
| AE32100i07 | AE32100i04 | AE32100i05 | AE32100i06 | AE32100i08 | 10A | 2100 | | |
| AE32150i07 | AE32150i04 | AE32150i05 | AE32150i06 | AE32150i08 | 15A | 2150 | | |
| AE32200i07 | AE32200i04 | AE32200i05 | AE32200i06 | AE32200i08 | 20A | 2200 | | |
| AE32250i07 | AE32250i04 | AE32250i05 | AE32250i06 | AE32250i08 | 25A | 2250 | | |
| AE32300i07 | AE32300i04 | AE32300i05 | AE32300i06 | AE32300i08 | 30A | 2300 | | |
| AE32350i07 | AE32350i04 | AE32350i05 | AE32350i06 | AE32350i08 | 35A | 2350 | | |
| AE32400i07 | AE32400i04 | AE32400i05 | AE32400i06 | AE32400i08 | 40A | 2400 | | |
| AE32450i07 | AE32450i04 | AE32450i05 | AE32450i06 | AE32450i08 | 45A | 2450 | | |
| AE32500i07 | AE32500i04 | AE32500i05 | AE32500i06 | AE32500i08 | 50A | 2500 | | |

Note: Operational Temperature Range:-40°C to 125°C

TIME VS CURRENT CHARACTERISTIC

| Rated Current | 110% | 135% | 150% | 200% | 300% | 500% |
|---------------|------|-----------|-----------|-----------|---------|----------|
| 5-50 A | >4 h | 150s - 1h | 10-1000 s | 0.5-100 s | 0.1-15s | 0.05-1 s |

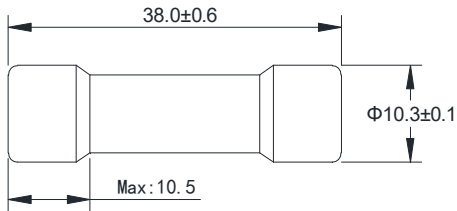
PART NUMBER SYSTEM



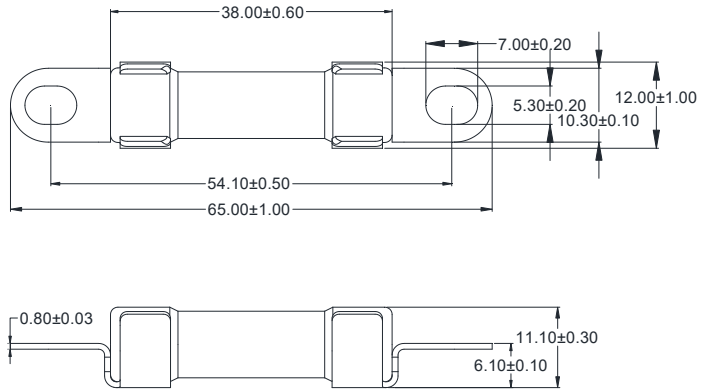
- 1Product Series AE3
- 2 Ampere Code 50 A (see ampere code column of electrical specifications)
- 3 Rated Voltage i - 850 V
- 4 Supplementary Code 07: Cylindrical; 04: Central Mount; 05: Level Mount; 06: PCB 2P; 08: PCB 4P

DIMENSIONS (mm)

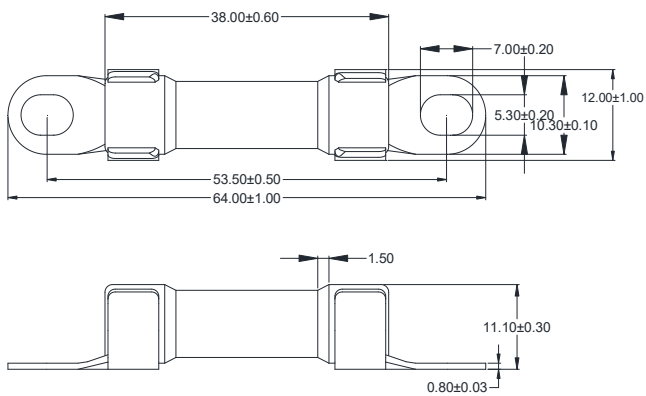
AE3xxxxi07



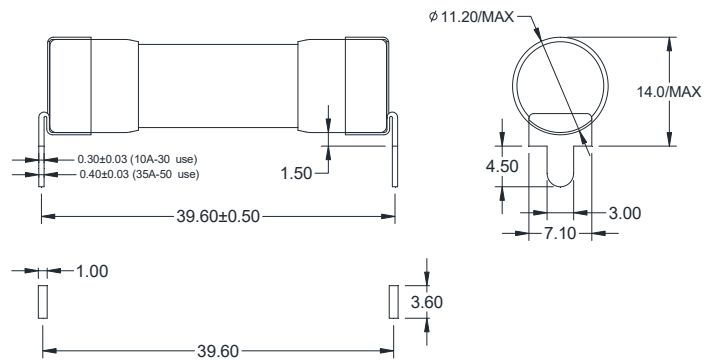
AE3xxxxi04



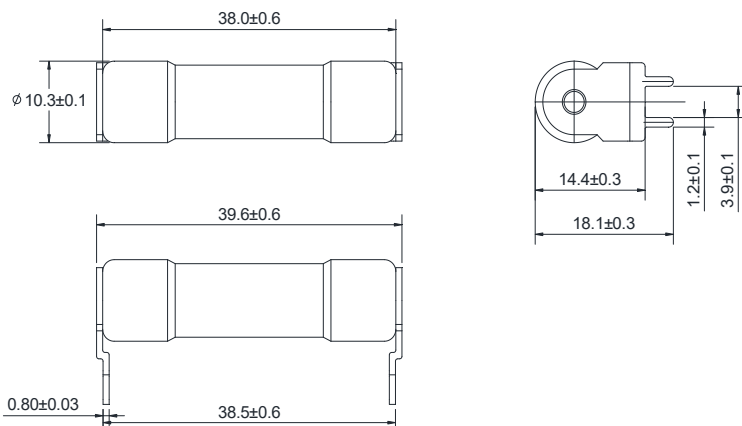
AE3xxxxi05



AE3xxxxi06



AE3xxxxi08



TIME CURRENT CURVE

