

AEX EV Fuse



FEATURES:

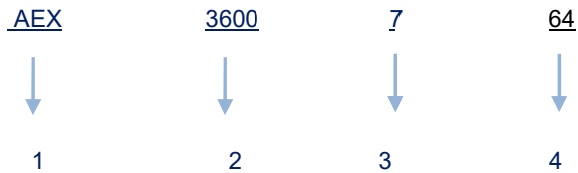
- 1000 VDC EV high-speed power fuse
- Rated Current: 70-100 A (31x86)
125-200A (38x83)
250-500A (51x89)
600A (64x88)
- Rated Breaking Capacity: 50 kA at 1000 VDC
- Time Constant: 2 ± 0.5 ms
- Dimensions: 31x86 mm, 38x83 mm, 51x89 mm, 64x88 mm
- Special purpose fuse for EV/HEV automotive use
- Ideal for high power EV PDU and battery protection
- Ref. to IEC 60269-4, UL248-20

ELECTRICAL SPECIFICATIONS

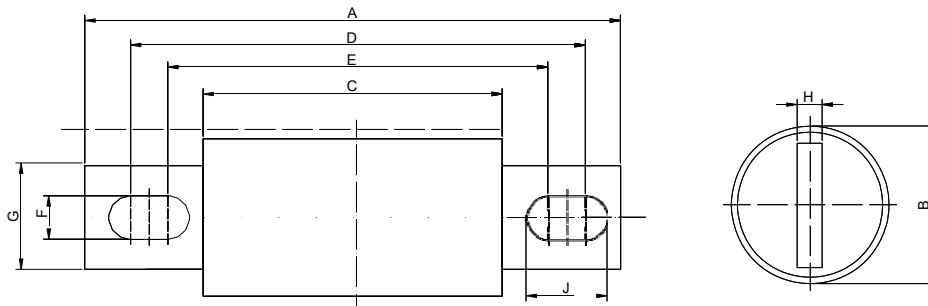
| Part Number | Rated Current | Ampere Code | Rated Voltage | Breaking Capacity | Melting I^2t | Clearing I^2t | Dissipation (W) |
|-------------|---------------|-------------|---------------|-------------------|----------------|-----------------|-----------------|
| | | | | | (A^2s) | (A^2s) | $0.5I_n$ |
| AEX2700731 | 70A | 2700 | 1000 VDC | 50 kA@1000 VDC | 1847 | 3879 | 3.63 |
| AEX2800731 | 80A | 2800 | | | 2886 | 6061 | 3.80 |
| AEX2900731 | 90A | 2900 | | | 4156 | 8728 | 4.00 |
| AEX3100731 | 100A | 3100 | | | 5657 | 11880 | 4.24 |
| AEX3125738 | 125A | 3125 | | | 7389 | 15517 | 5.58 |
| AEX3150738 | 150A | 3150 | | | 11545 | 24245 | 6.43 |
| AEX3175738 | 175A | 3175 | | | 17680 | 37129 | 7.07 |
| AEX3200738 | 200A | 3200 | | | 29556 | 62068 | 7.14 |
| AEX3250751 | 250A | 3250 | | | 41678 | 87525 | 9.71 |
| AEX3300751 | 300A | 3300 | | | 66501 | 139653 | 11.07 |
| AEX3350751 | 350A | 3350 | | | 90515 | 190083 | 12.91 |
| AEX3400751 | 400A | 3400 | | | 115000 | 280275 | 13.50 |
| AEX3500751 | 500A | 3500 | | | 133000 | 320000 | 15.73 |
| AEX3600764 | 600A | 3600 | | | 221000 | 386000 | 20.3 |

Note:

(1) Temperature Rise: ≤ 50 K at 50 % of rated current at $20 \pm 5^\circ\text{C}$ environment temperature.

PART NUMBER SYSTEM


- 1Product Series AEX
 2 Ampere Code600 A (see ampere code column of electrical specifications)
 3Rated Voltage..... 7: 1000V
 4 Supplementary Code 31, 38, 51, 64: default

DIMENSIONS (mm)


| P/N | A | B | C | D | E | F | G | H | J |
|-----------|-----|----|----|-----|-----|------|----|----|------|
| AEXxxx731 | 125 | 31 | 86 | 109 | 102 | 8.5 | 22 | 5 | 12.0 |
| AEXxxx738 | 140 | 38 | 83 | 118 | 100 | 10.5 | 25 | 6 | 19.5 |
| AEXxxx751 | 146 | 51 | 89 | 126 | 107 | 10.5 | 38 | 6 | 20.0 |
| AEXxxx764 | 196 | 64 | 88 | 162 | 122 | 13 | 50 | 10 | 33 |

TIME CURRENT CURVE

