

LITEON-SEMI ESD Application

- Computing
- Portables
- Consumer Electronics.
- Networking & Comm.

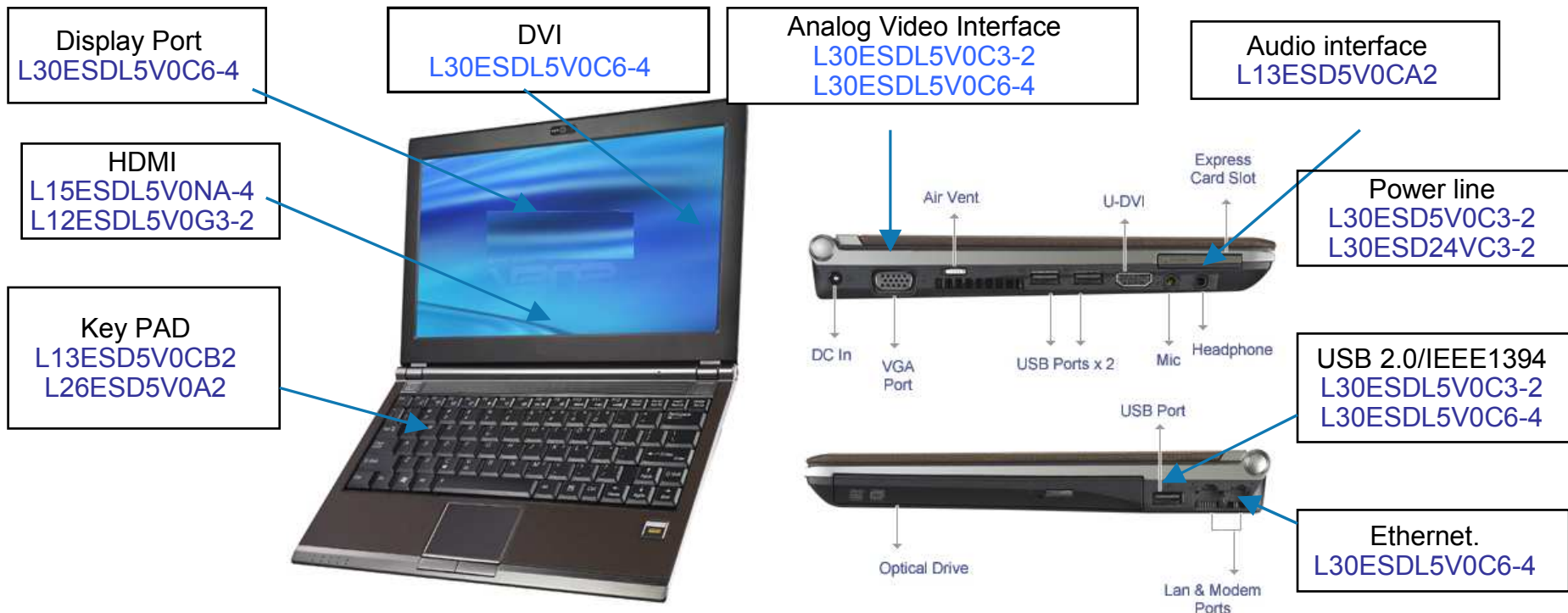
Portable Products

Cellular Phone



Application	ANT	External Memory	Key/Touch Pad	USB2.0	Speaker	MIC	LCD Backlighting	Power Charger
P/N	L10ESDL5V0CE2	L15ESDL5V0D6-4	L13ESD5V0CE2 L04ESD5V0CP2	L10ESDL5V0CE2 L12ESDL5V0F6-2	L04ESD5V0CE2 LEF01016F6-2	L04ESD5V0CE2 LEF01016F6-2	LEF10001M8-4 LEF10001MC-6 LEF10001MG-8	L18ESD12VA2 L15ESD12VE2 L14ESD12VP2
Package	SOD882	SOT363	SOD882 SOD923	SOD882 SOT563	SOD882 SOT563	SOD882 SOT563	SLP2116P8 SLP3016P12 SLP4016P16	SOD523 SOD882 SOD923
Feature	0.3pf	1.5pf	25pf 12pf	0.3pf	25pf EMI Filter	12pf EMI Filter	EMI Filter	45~75pf

Note Book



Application	Display Port	Key Pad	USB2.0/IEEE1394	Audio	Power line	HDMI	Ethernet
P/N	L30ESDL5V0C6-4	L13ESD5V0CA2 L13ESD5V0CB2	L30ESDL5V0C3-2 L30ESDL5V0C6-4	L13ESD5V0CA2	L30ESD5V0C3-2 L30ESD24VC3-2	L15ESDL5V0NA-4	L30ESDL5V0C6-4
Package	SOT23-6L	SOD523 SOD323	SOT23 SOT23-6L	SOD523	SOT23	SLP2510P8	SOT23-6
Feature	1.2pf	25pf	1.2pf	25pf	100pf	0.3pf	1.2pf

Consumer Products

BT Ear Phone

**Speaker.
Mic.**
L13ESD5V0CE2
LEF01016F6-2
LEF03216F6-2



KeyPAD.
L13ESD5V0CE2
L04ESD5V0CP2

Battery Charger.
L13ESD5V0CE2
L04ESD5V0CP2

Application	Key/Touch Pad	Speaker	MIC	Power Charger
P/N	L13ESD5V0CE2 L04ESD5V0CP2	L04ESD5V0CE2 LEF01016F6-2	L04ESD5V0CE2 LEF01016F6-2	L13ESD5V0CE2 L04ESD5V0CP2
Package	SOD882 SOD923	SOD882 SOT563	SOD882 SOT563	SOD882 SOD923
Feature	25pf 12pf	25pf EMI Filter	12pf EMI Filter	25pf 12pf



Set Top Box



Key/Touch Pad
L13ESD5V0CA2
L13ESD5V0CE2
L04ESD5V0CP2

Ethernet
L30ESDL5V0C3-2

Analog Video
L30ESDL5V0C3-2

LCD Display
LEF10001M8-4
LEF10001MC-6
LEF10001MG-8

Power Line
L30ESD12VC3-2
L30ESD24VC3-2

USB2.0
L30ESDL5V0C6-4

HDMI
L15ESDL5V0NA-4
L12ESDL5V0JA-4

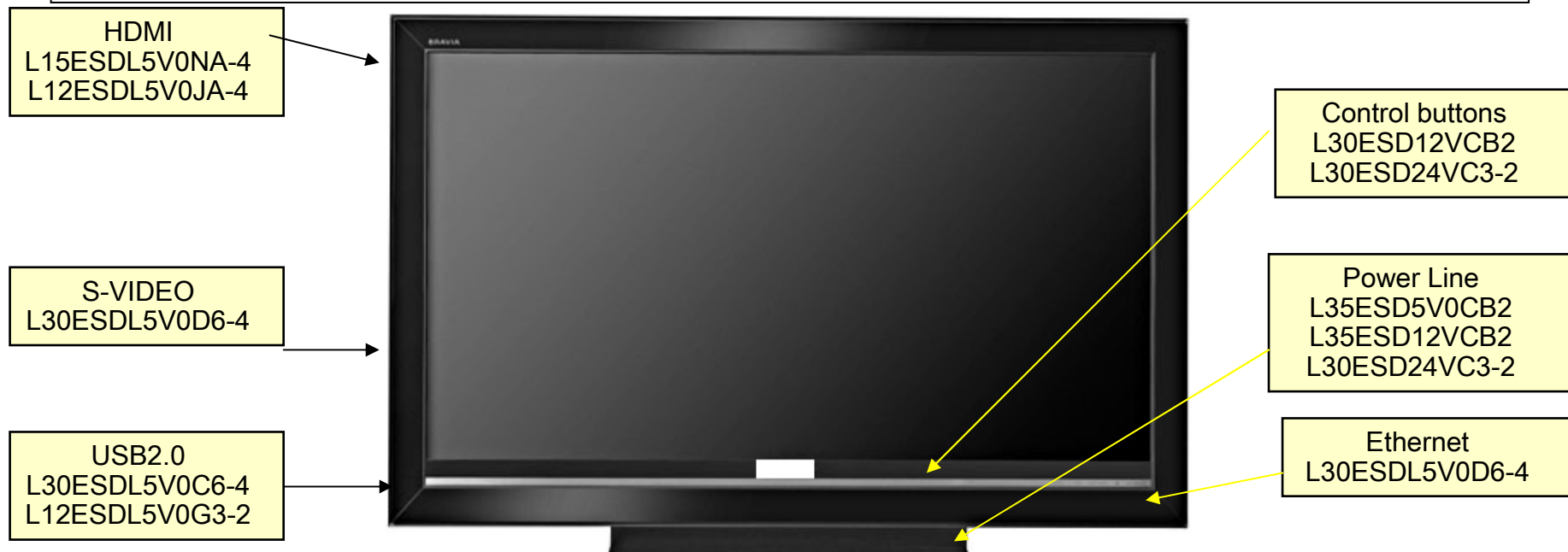
Application	LCD Display	Key/Touch Pad	USB2.0	Analog Audio	Power line	HDMI	Ethernet
P/N	LEF10001M8-4 LEF10001MC-6 LEF10001MG-8	L13ESD5V0CA2 L13ESD5V0CE2 L04ESD5V0CP2	L30ESDL5V0C6-4	L30ESDL5V0C3-2	L26ESD5V0A2 L30ESD12VC3-2	L15ESDL5V0NA-4 L12ESDL5V0JA-4	L30ESDL5V0C3-2
Package	SLP2116P8 SLP3016P12 SLP4016P16	SOD523 SOD882 SOD923	SOT23-6L	SOT23	SOD523 SOT23	SLP2510P8 MSOP-10L	SOT23
Feature	EMI Filter	12~25pf	1.2pf	1.2pf	100pf	0.3pf	1.2pf

DSC



Application	External Memory	Key/Touch Pad	USB2.0	Speaker	MIC	LCD Display	Power Charger
P/N	L02ESD5V0F6-5	L13ESD5V0CE2 L04ESD5V0CP2	L10ESDL5V0CE2 L12ESDL5V0F6-2	L04ESD5V0CE2 LEF01016F6-2	L04ESD5V0CE2 LEF01016F6-2	LEF10001M8-4 LEF10001MC-6 LEF10001MG-8	L13ESD5V0CE2 L15ESD12VE2
Package	SOT563	SOD882 SOD923	SOD882 SOT563	SOD882 SOT563	SOD882 SOT563	SLP2116P8 SLP3016P12 SLP4016P16	SOD882
Feature	19pf	25pf 12pf	0.3pf	25pf EMI Filter	12pf EMI Filter	EMI Filter	25~33pf

HDTV



Application	HDMI	S-VIDO	USB2.0	Control Buttons	Ethernet	Power line
P/N	L15ESDL5V0NA-4 L12ESDL5V0JA-4	L15ESD5V0D6-4	L30ESDL5V0C6-4 L12ESDL5V0G3-2	L35ESD12VCB2 L30ESD24VC3-2	L30ESDL5V0D6-4	L35ESD5V0CB2 L35ESD12VCB2 L30ESD24VC3-2
Package	SLP2510P8 MSOP-10L	SOT363	SOT23-6L SOT523	SOD323 SOT23	SOT363	SOD323 SOT23
Feature	0.3pf	1.2pf	0.3~1.2pf	200~300pf	1.2pf	100~300pf

Communication Products

Networking & Comm Cable Modem



Networking & Comm.

DSL Modem

Second dary DSL
L50ESDL12VH4-2
LESD70VH4-2



Ethernet
MAC/PHY
L45ESDL3V3MA-4
L15ESDLM6-4

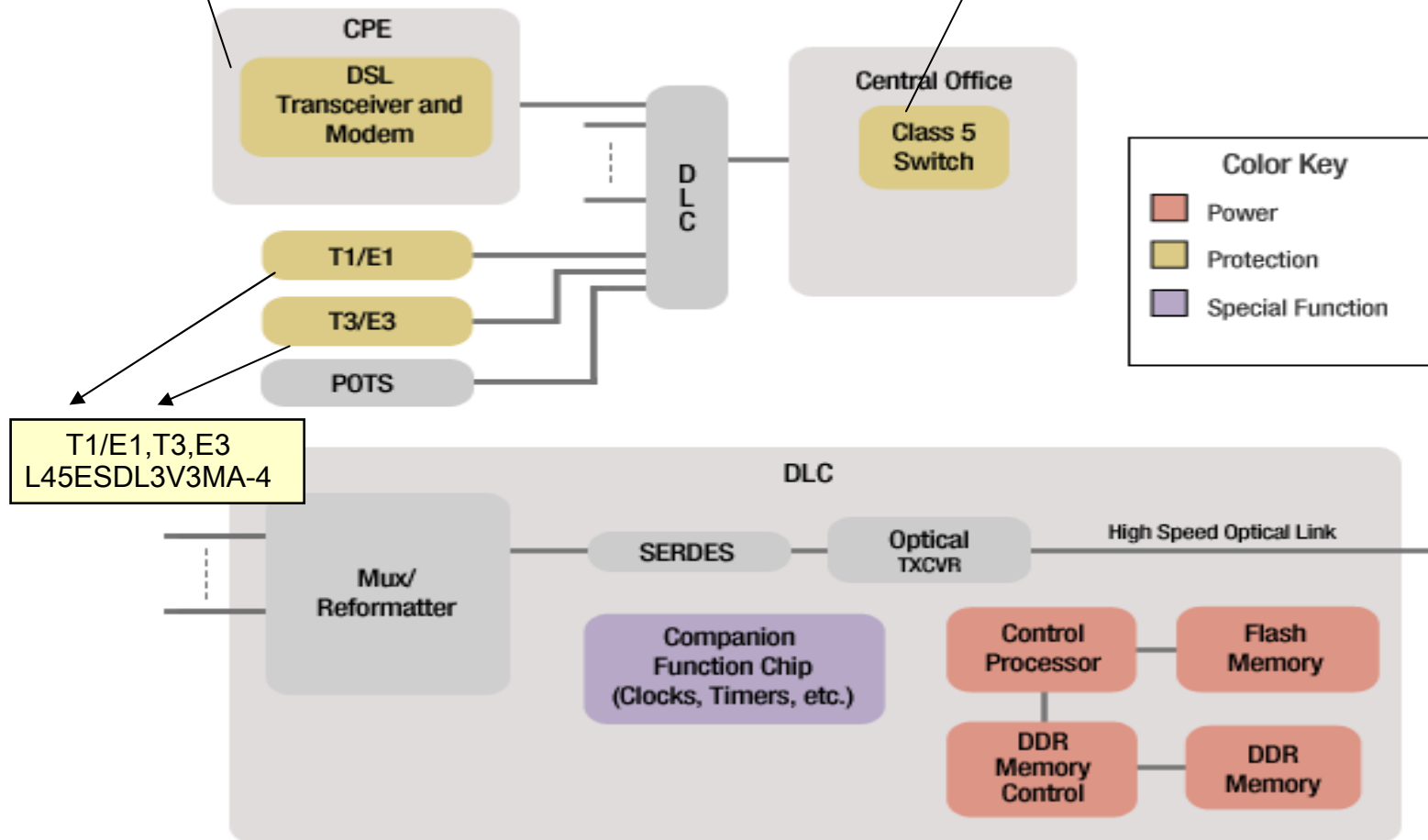
USB2.0
L30ESDL5V0C6-4
L12ESDL5V0G3-2

Networking & Comm. DLC

DSL Modem
L50ESDL12VH4-2
L70ESDVH4-2

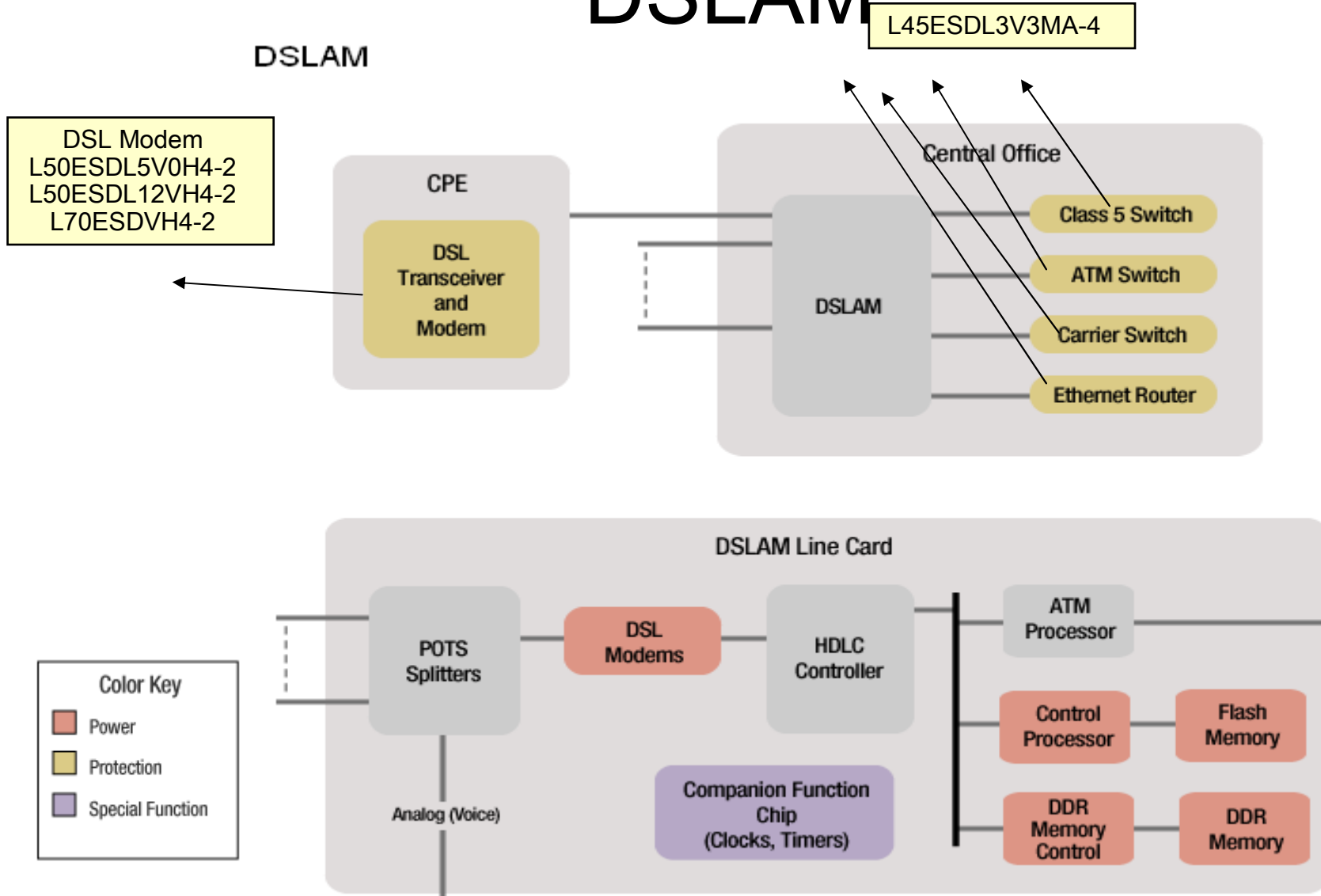
Class 5 Switch
L45ESDL3V3MA-4

Digital Loop Carrier (DLC)



Networking & Comm.

DSLAM



Wireless Base Station

