

# Home Appliances Application

- **Microwave**
- **LCD TV Power**
- **IH Cooker**
- **Rice Cooker**
- **Vacuum Cleaner**
- **DC Air Conditioner**
- **DC Refrigerator**
- **DC Washing Machine**
- **LED Lighting**

# Microwave Application

## Converter Circuit High Voltage Source

KBJ2006~KBJ2008

GBJ1506~GBJ1508

GBJ1506~GBJ1508

GBJ2006~GBJ1508

GBJ2506~GBJ1508

## Low Voltage Source

1N4007

### Switching

1N4148W

LS4148W

### Zener

MMSZ5228B(3.9V)

MMSZ5231B(5.1V)

MMSZ5245B(15V)

### Transistor

MMBTA2222A(NPN)

MMBT2907A(PNP)



## Control Panel Bridge

1N4007x 4

HD04~10

### Switching

1N4148W

LS4148W

### Transistor

MMBT2222A

MMBT2907A

# LCD TV Power Application

**AC Power in Rectifiers:**  
KBP208G / GBU408  
/ GBL408/ KBJ408G

**PFC:  
Rectifiers:**  
MUR460

**I/O  
D-Sub / DVI / HDMI  
Protection:**  
L30ESDL5V0C3-2  
L30ESDL5V0C6-4  
L30ESDL5V0D6-4  
L15ESDL5V0NA-4  
L12ESDL5V0JA-4

**Main System  
MOSFET**  
LT4953C/LT9435C / LT2323E/LT2345A / LT2349E



**CCFL  
MOSFET**  
LT3500/LT3946 / LT4542C / LT4544C  
LT4920C / LT4946C / LT4948C

**DC Power Rectifiers:  
3.3V or 5V**  
FB240M/ SBF1040CT /  
SBF2060CT / MBRF1060CT  
**12V**  
MBRF10100CT /  
MBRF20100CT / SB5100  
**24V**  
SB5150 / MBRF10150CT /  
MBRF20150CT /  
MBRF10200CT / STPF1620CT /  
STPF1020CT  
**Small signal**  
1N4148W/ BAV99W/  
1N5819WL/ MMSZ52xxB  
**Protection:**  
L26ESD5V0A2  
L18ESD12VA2  
L16ESD24VA2



# IH Cooker Application

## Main Power Circuit

### Bridge

GBJ1506~ GBJ1508  
GBJ2006~GBJ2008  
GBJ2506~GBJ2508

KBJ2006~KBJ2008

### SCR/TRIAC

T16M35T600B



## Control Panel

### Bridge

1N4007x 4  
HD04~10

### Switching

1N4148W  
LS4148W  
BAV99

### Fast diode

UF4007  
PR1007

### Schottky

B0540W

### Zener

MMSZ5239B(9.1V)  
MMSZ5248B(18V)  
MMSZ5250B(20V)

# Rice Cooker Application

## Control Panel

### Bridge

HD10  
1N4007x4

### Switching

1N4148W  
LS4148W  
BAW56/ BAV99

### SCR/TRIAC

97A8  
T1M5F600AL



## Control Panel

### Standard

1N4007

### Transistor

MMBT2222A  
MMBT2907A

### Schottky

RB751V-40

### Zener

MMSZ5227B(3.6V)  
MMSZ5231B(5.1V)  
MMSZ5242B(12V)

# Vacuum Cleaner Application

## Control Panel

### Bridge

1N4007x 4  
HD04~10

### Switching

1N4148W  
LS4148W

### Zener

MMSZ5231B(5.1V)  
MMSZ5239B(9.1V)

## Control Panel

### SCR/TRIAC

97A8

T1M5F600AL  
T8M35T600B  
T12M35T600B  
T16M35T600B



# DC Air Conditioner Application

## Communication Indoor/ Outdoor

### Bridge

1N4007x 4  
HD04~10

### Switching

1N4148W  
LS4148W  
BAV99  
BAW56

### Zener

MMSZ5231B(5.1V)  
MMSZ5252B(24V)  
MMSZ5256B(30V)



## Main Power Bridge

GBJ1506~ GBJ1508  
GBJ2006~GBJ2008  
GBJ2506~GBJ2508

KBJ2006~KBJ2008

KBPC2506G(W)  
KBPC3506G(W)

# DC Refrigerator Application

## Bridge Rectifier

KBJ2006~KBJ2008  
GBJ1506~GBJ1508  
GBJ1506~GBJ1508  
GBJ2006~GBJ1508  
GBJ2506~GBJ1508



## Converter Circuit Low Voltage Source

1N4007  
FR1007  
SB140

## Switching

1N4148W  
LS4148W

## Transistor

MMBTA2222A(NPN)  
MMBT2907A(PNP)

# DC Washing Machine Application

## Bridge Rectifier

KBJ2006~KBJ2008

GBJ1506~GBJ1508

GBJ1506~GBJ1508

GBJ2006~GBJ1508

GBJ2506~GBJ1508



## Converter Circuit

### Low Voltage Source

1N4007

FR1007

SB140

### Switching

1N4148W

LS4148W

### Transistor

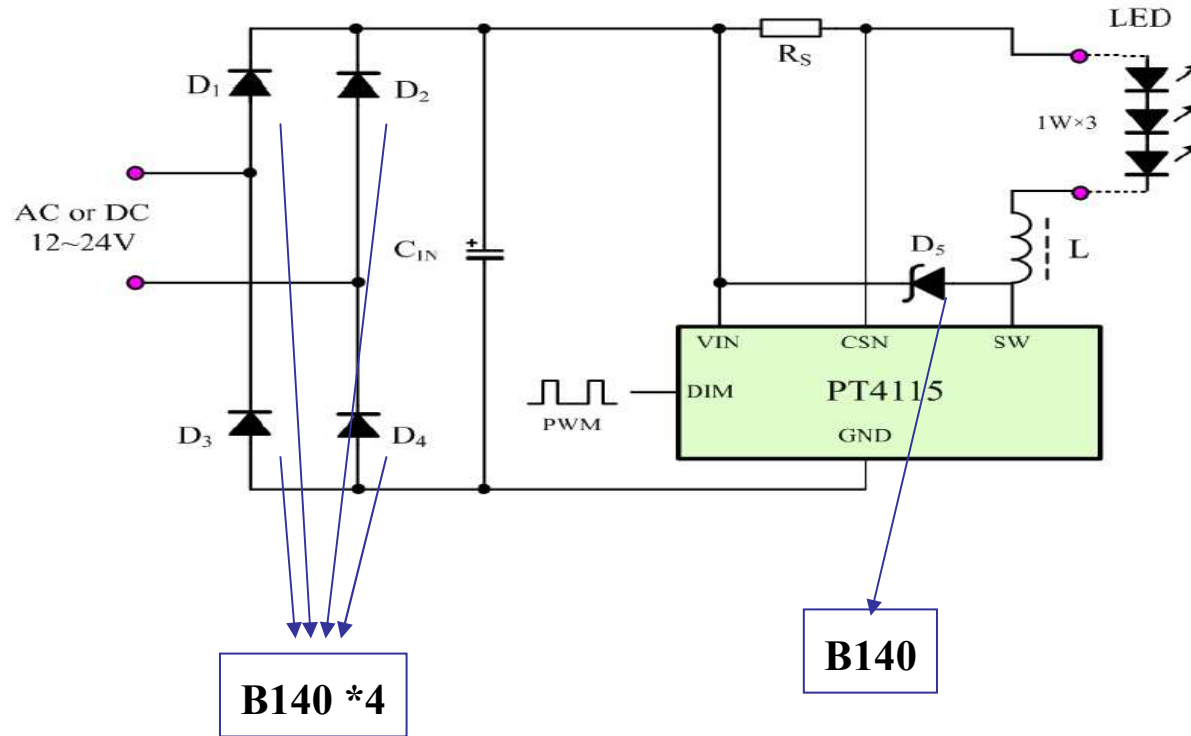
MMBTA2222A(NPN)

MMBT2907A(PNP)

# MR16 (1~3W) LED Module



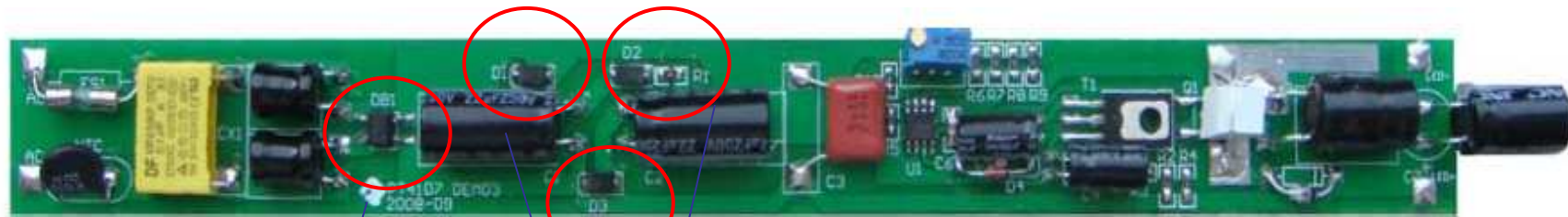
# MR16 (1~3W) LED Module BOM





T10:(10/8)×25.4 = 31.8mm

# T8/T10 20W LED Module



**HD06~HD10**  
**TT206~TT210**

**S1J~S1M**



# Indoor LSC Product Selection Guide

Product	MR16	GU10	E14/27	PAR38	T8/T10
Bridge	B240AX5(SMA) B140 x 5(SMA) B0540W x 5 (SOD-123)	HD06	HD06	HD06	HD06 TT208~TT210
SHKY	1N5819WLX5 (SOD-123)	SB1100	SB1100 SB2100		
Diode		S1J	S1J PR1003 UF2003	S1J PR1004 UF2003	1N4007 SF10GG
MosFet					
Zener		LZ52C12W	LZ52C18W LZ52C24W		LZ52C18W
Power (W)	1W-7W	1W-7W	5W-7W	9W-15W	15W-20W
Input	AC 12V/24V	AC 100V/240V	AC 100V/240V	AC 100V/240V	AC 100V/240V

**END**

