

# Lite-On Semiconductor LCD TV/Monitor Platform Solutions



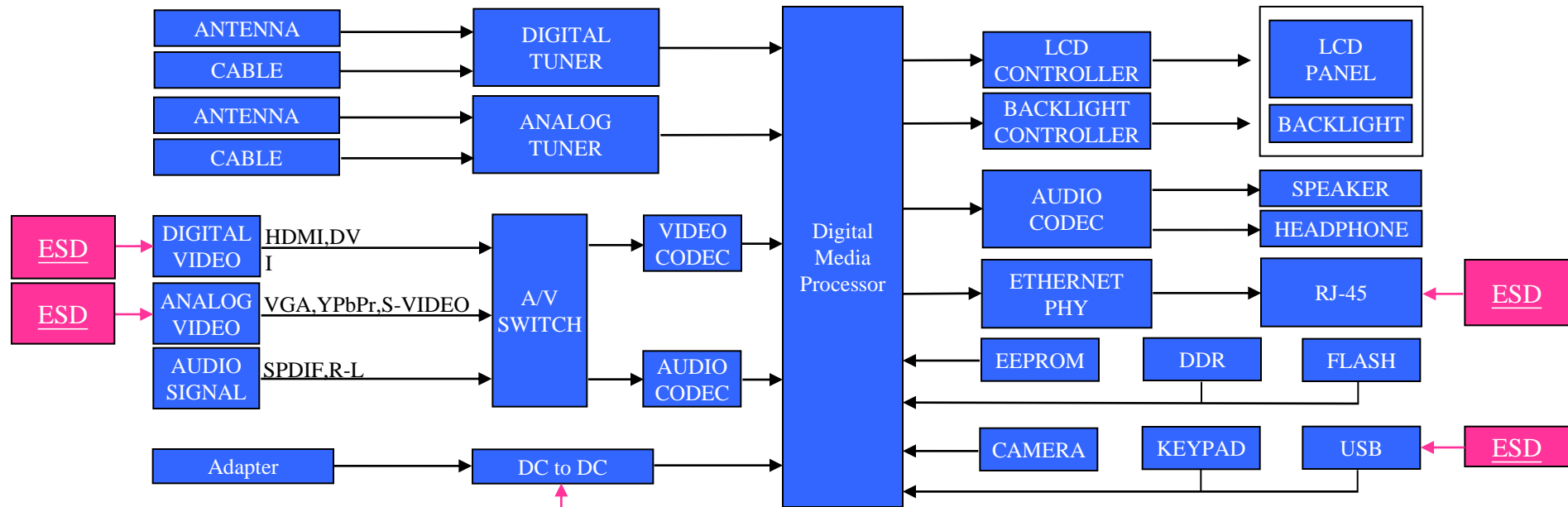
**WORLD PRODUCTS, LLC**

*ELECTRONIC COMPONENT SOLUTIONS*

[sales@worldproducts.com](mailto:sales@worldproducts.com) || [www.worldproducts.com](http://www.worldproducts.com)

Exclusive agent in the America's for all Lite-On Semiconductor products.

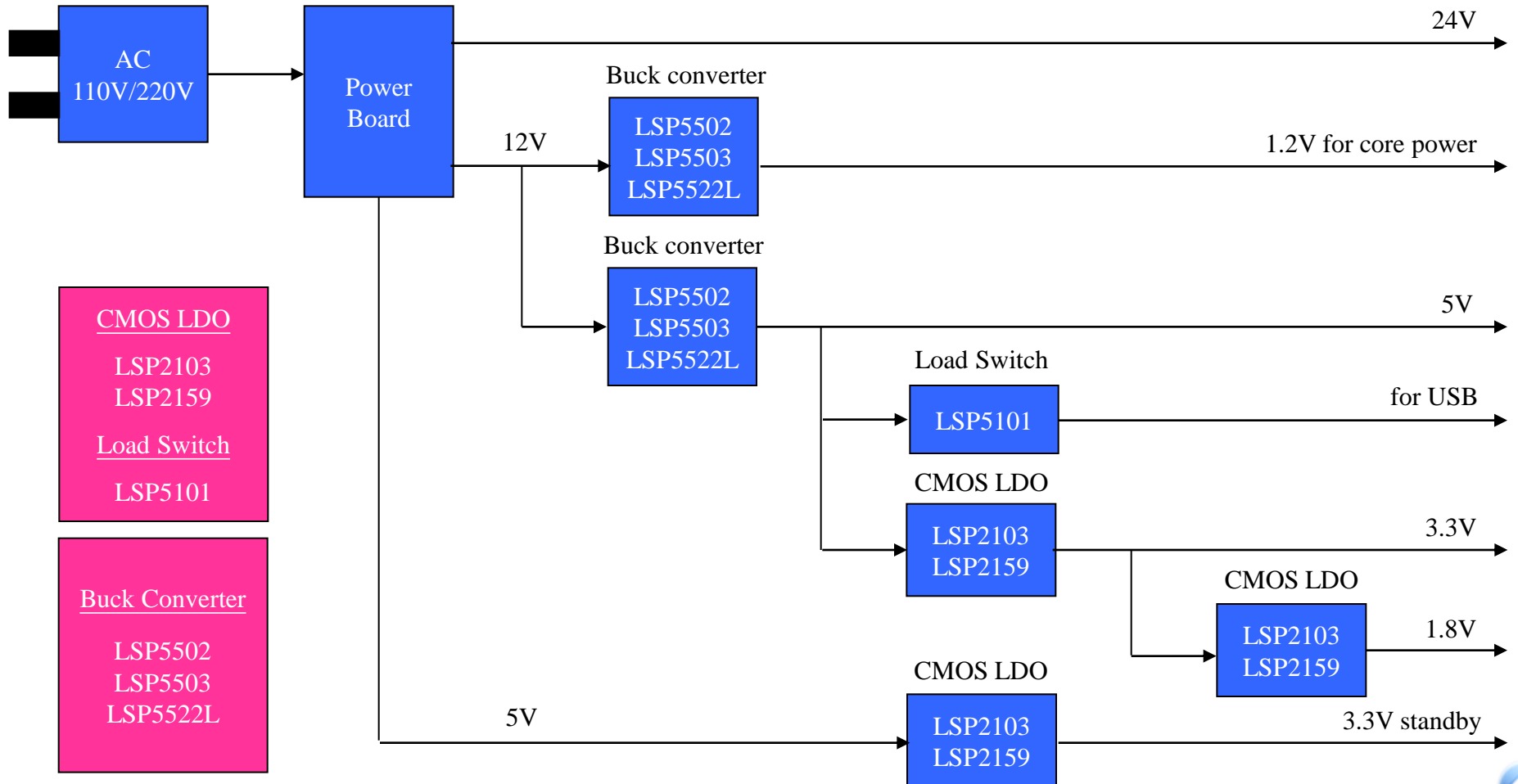
# LCD TV/Monitor Block Diagram



- ESD**
- L13ESDL5V0C6-4
  - L12ESDL5V0C6-4
  - L12ESDL5V0JA-4
  - L15ESDL5V0NA-4
  - L15ESDL5V0C6-4
  - L15ESDL5V0M6-4
  - L35ESD5V0CB2

- |              |                 |               |
|--------------|-----------------|---------------|
| <b>ESD</b>   | <b>SCHOTTKY</b> | <b>SWITCH</b> |
| <b>DPM</b>   | B140A           | BAV99W        |
| <b>LDO</b>   | B340A           | 1N4148W       |
| <b>DC-DC</b> | B052LW          | LS4148W/WS    |
|              | FB130LM         | <b>ZENER</b>  |
|              | FB340LM         | MMSZ5240B     |
|              | 1N5819WL        |               |

# LCD TV DC to DC Block Diagram

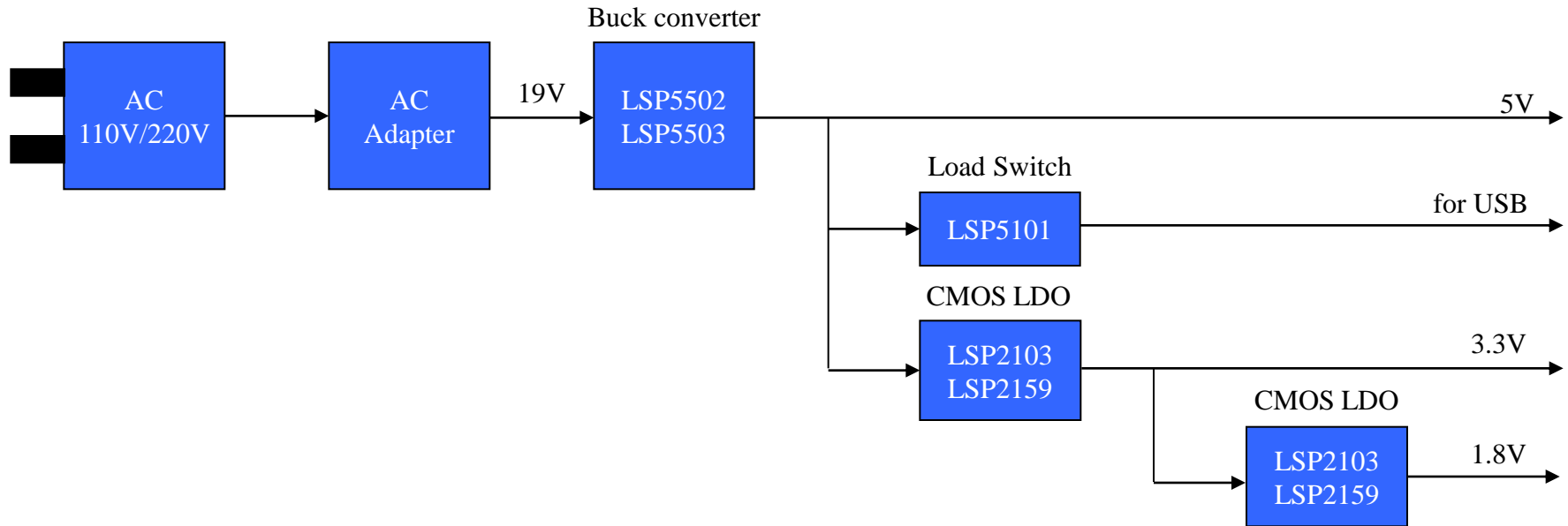


CMOS LDO  
LSP2103  
LSP2159  
Load Switch  
LSP5101

Buck Converter  
LSP5502  
LSP5503  
LSP5522L



# LCD Monitor DC to DC Block Diagram



Buck Converter  
LSP5502  
LSP5503

CMOS LDO  
LSP2103  
LSP2159  
Load Switch  
LSP5101



## LSC Product Selection Guide

### Rectifier product

Part No.	Family	VR	$I_{FAV}$	$I_{FSM}$	IR @ VR mA	$V_F @ I_F$		Package
		Min. (V)	Max. (A)	Max. (A)		Max. (V)	A	
B140	Schottky	40	1	30	0.5	0.5	1	SMA
B340A	Schottky	40	3	100	0.5	0.5	2	SMA
FB130LM	Schottky	30	1	50	0.4	0.38	1	Mite Flat
FB340LM	Schottky	40	3	70	0.4	0.47	3	Mite Flat
1N5819WL	Schottky	40	1	25	1	0.45	1	SOD-123
B0520LW	Schottky	20	0.5	5.5	0.25	0.385	0.5	SOD-123
BAV99W	Switch	75	0.3	2	2.5uA	1.25	0.15	SOT-23
1N4148W	Switch	75	0.3	2	1uA	1.25	0.15	SOD-123
LS4148W/WS	Switch	75	0.3	2	5uA	1.25	0.15	1206/ 0805
MMSZ5240B	Zener	$V_z=10V@20mA$		-	3uA@8V	-	-	SOD-123



# LSC Product Selection Guide

## Surface Mount ESD Protection Device

Part Number	Peak Power Dissipation 8x20μs	Reverse standoff voltage	Max Reverse Leakage @ VR	Max Clamping Voltage @8x20μs	Peak Pulse Current 8x20μs	Off-State Capacitance 1MHz Zero DC Bias	Package
		VR	IR	Vc	Ipp	Co	
	W	V	uA	V	A	pF	
L13ESDL5V0C6-4	130	5	1	15	1	0.8	SOT-23-6L
L12ESDL5V0C6-4	120	5	1	24	5	0.8	SOT-23-6L
L12ESDL5V0JA-4	120	5	1	15	1	0.9	MSOP-10L
L15ESDL5V0NA-4	150	5	1	15	1	0.8	SLP2510P8
L15ESDL5V0C6-4	150	5	1	15	1	0.8	SOT-23-6L
L15ESDL5V0M6-4	150	5	1	19	8	1.5	SLP1616P6
L35ESD5V0CB2	350	5	10	14.5	24	200	SOD-323



# LSC Product Selection Guide

## DPM CMOS LDO

Part No.	Features	Input Voltage	Output Voltage	Output Current	PSRR	Accuracy	I <sub>Q</sub>	Dropout Voltage	Package
LSP2103	a,b,c	5.5V	1.5V/1.8V/2.5V/2.8V/3.3V	1A	60dB	±2%	35uA	300mV at 300mA	SOT223-3L, TO252-3L
LSP2159	a,b,c	5.5V	1.5V/1.8V/2.5V/2.8V/2.85V/3.0V/3.3V/5.0V	1.5A	65dB	±2%	90uA	600mV at 1.5A	SOT223-3L, TO252-3L, TO263-3L

a: Current Limit; b: Thermal Shutdown; c: Low Quiescent current; d: Enable/shutdown control; e: Power good; f: Low noise bypass; g: Dual output

## DPM Load Switch

Part No.	Type	Input Voltage	I <sub>Q</sub>	Current Limit	Turn On/Off Time	R <sub>DS,ON</sub>	Package
LSP5101	ADJ	2.7V ~ 5.5V	15uA	1.25A	200uS/2uS	160mΩ	SOT23 -5L

a: Pre-Charge current; b: Soft start; c: Under voltage lock out; d: Thermal protection

## DPM Step-Down DC/DC Converter

Part No.	Features	Input Voltage	Output Voltage	Output Current	Frequency	Output Channel	Standby Current	Feedback Voltage	Package
LSP5502	a,c,d,e,f,g,h,j,k	27	ADJ	2A	380KHz	1	10uA	0.925V	SOP-8L
LSP5503	a,c,d,e,f,g,h,j,k	27	ADJ	3A	380KHz	1	10uA	0.925V	ESOP-8L
LSP5522L	a,c,d,e,f,g,h,j,k	18V	ADJ	2A	380KHz	1	10uA	0.925V	SOP-8L

a: Synchronous stepdown; b: Asynchronous stepdown; c: Enable/shutdown control; d: Internal Switch; e: Current Limit; f: Thermal Shutdown

***1A Schottky Rectifier***

**Features**

For surface mounted applications  
 Very Low forward voltage drop  
 High current capability  
 Plastic material has UL flammability classification 94V-0  
 For use in low voltage, high frequency inverters,  
 free wheeling, and polarity protection applications

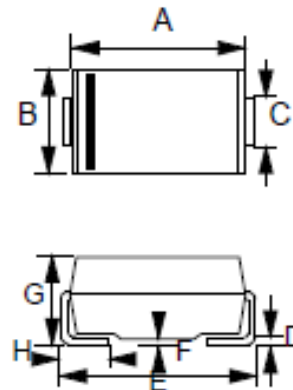
**Applications**

- PC Motherboard
- NB
- LCD Monitor/TV
- Telecom Equipment
- ADSL Modem
- Printer and other Peripheral Equipment

**Mechanical Data**

Case : Molded plastic  
 Polarity : Indicated by cathode band  
 Weight : 0.002 ounces, 0.064 grams

**Application Circuit**



SMA		
DIM.	MIN.	MAX.
A	4.06	4.57
B	2.29	2.92
C	1.27	1.63
D	0.15	0.31
E	4.83	5.59
F	0.05	0.20
G	2.01	2.40
H	0.76	1.52
All Dimensions in millimeter		

**Features**

For surface mounted applications  
 Very Low forward voltage drop  
 High current capability  
 Plastic material has UL flammability classification 94V-0  
 For use in low voltage, high frequency inverters,  
 free wheeling, and polarity protection applications

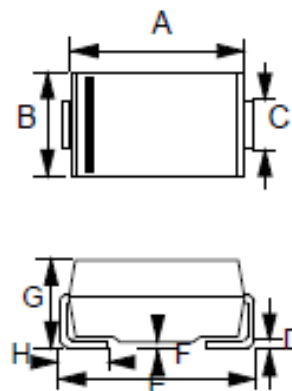
**Applications**

- PC Motherboard
- NB
- LCD Monitor/TV
- Telecom Equipment
- ADSL Modem
- Printer and other Peripheral Equipment

**Mechanical Data**

Case : Molded plastic  
 Polarity : Indicated by cathode band  
 Weight : 0.002 ounces, 0.064 grams

**Application Circuit**



SMA		
DIM.	MIN.	MAX.
A	4.06	4.57
B	2.29	2.92
C	1.27	1.63
D	0.15	0.31
E	4.83	5.59
F	0.05	0.20
G	2.01	2.40
H	0.76	1.52
All Dimensions in millimeter		

**1A Low VF Schottky Rectifier**

**Features**

- Case Material: “Green” molding compound, UL flammability classification 94V-0, (No Br. Sb. Cl.)
- Very low profile package – 0.80mm
- Super fast switching for high efficiency
- For surface mounted applications
- Very Low forward voltage drop and high current capability
- Low reverse leakage current

**Mechanical Data**

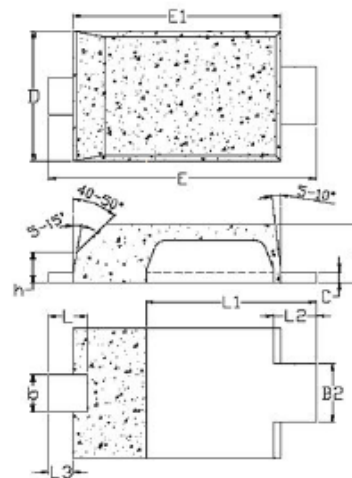
- Case: JEDEC DO-222AA
- Moisture Sensitivity: Level 1 per J-STD-020C
- Terminals: Lead Free Plating (Matte Tin Finish.)
- Component in accordance to RoHs 2002/95/EC

**Applications**

- NB
- DC FAN
- LCD Monitor /TV
- GPS
- ADSL Modem
- Communication Equipment

**Application Circuit**

**Mite Flat**



Mite Flat		
DIM.	MIN.	MAX.
A	0.80	0.95
b	0.40	0.65
b2	0.70	1.00
C	0.10	0.25
D	1.75	2.05
E	3.60	3.90
E1	2.80	3.10
h	0.35	0.50
L	0.50	0.80
L1	2.10	2.60
L2	0.45	0.75
L3	0.20	0.50
All dimension in millimeter		

**3A Low VF Schottky Rectifier**

**Features**

- Case Material: “Green” molding compound, UL flammability classification 94V-0, (No Br. Sb. Cl.)
- Very low profile package – 0.80mm
- Super fast switching for high efficiency
- For surface mounted applications
- Very Low forward voltage drop and high current capability
- Low reverse leakage current

**Mechanical Data**

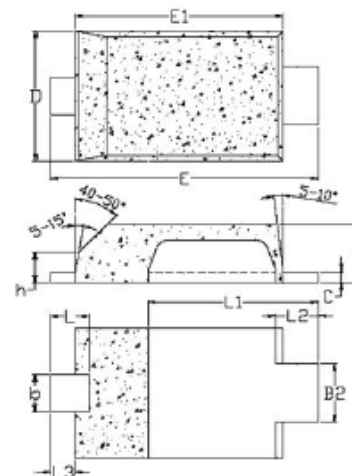
- Case: JEDEC DO-222AA
- Moisture Sensitivity: Level 1 per J-STD-020C
- Terminals: Lead Free Plating (Matte Tin Finish.)
- Component in accordance to RoHs 2002/95/EC

**Applications**

- NB
- DC FAN
- LCD Monitor /TV
- GPS
- ADSL Modem
- Communication Equipment

**Application Circuit**

**Mite Flat**



Mite Flat		
DIM.	MIN.	MAX.
A	0.80	0.95
b	0.40	0.65
b2	0.70	1.00
C	0.10	0.25
D	1.75	2.05
E	3.60	3.90
E1	2.80	3.10
h	0.35	0.50
L	0.50	0.80
L1	2.10	2.60
L2	0.45	0.75
L3	0.20	0.50
All dimension in millimeter		

# 1N5819WL

## 1A Schottky Rectifier

### Features

- Low Forward Voltage Drop
- High Surge Capability and High Current Capability
- For Surface Mounted Applications
- High Conductance
- Guard Ring Construction for Transient Protection

### Applications

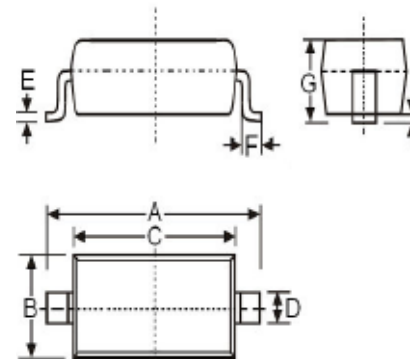
- PC Motherboard
- NB
- LCD Monitor/TV
- Telecom Equipment
- ADSL Modem
- Printer and other Peripheral Equipment

### Mechanical Data

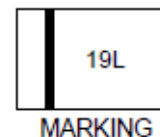
Case: SOD-123 Plastic  
 Case Material: "Green" molding compound, UL flammability classification 94V-0, (No Br. Sb. Cl)  
 Moisture Sensitivity: Level 1 per J-STD-020D  
 Lead Pb-Free in RoHS 2002/95/EC Compliant  
 Weight: approx. 0.01 grams (approximate)

### Application Circuit

#### SOD-123



SOD-123		
Dim.	Min.	Max.
A	3.55	3.85
B	1.40	1.70
C	2.55	2.85
D	0.55 Typical	
E	0.11 Typical	
F	0.25	—
G	—	1.35
H	—	0.10
All Dimensions in millimeter		



**Features**

- Low Forward Voltage Drop
- High Conductance
- Guard Ring Construction for Transient Protection

**Applications**

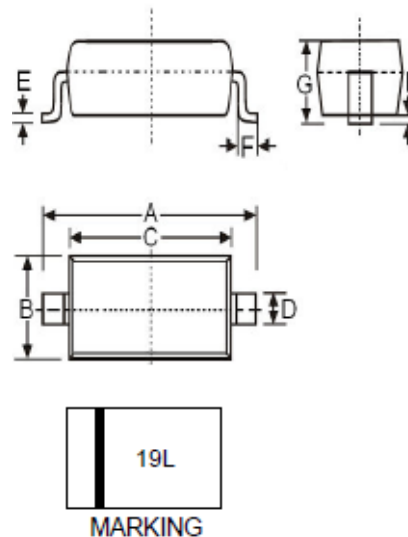
- NB
- LCD Monitor/ TV
- GPS
- ADSL Modem
- Communication Equipment

**Mechanical Data**

Case: SOD-123 Plastic  
 Case Material: "Green" molding compound, UL flammability classification 94V-0, (No Br. Sb. Cl)  
 Moisture Sensitivity: Level 1 per J-STD-020D  
 Lead Free in RoHS 2002/95/EC Compliant

**Application Circuit**

**SOD-123**



SOD-123		
Dim.	Min.	Max.
A	3.55	3.85
B	1.40	1.70
C	2.55	2.85
D	0.55 Typical	
E	0.11 Typical	
F	0.25	—
G	—	1.35
H	—	0.10
All Dimensions in millimeter		

**Features**

- Fast switching speed
- Ideally suited for automatic insertion
- For general purpose switching applications

**Applications**

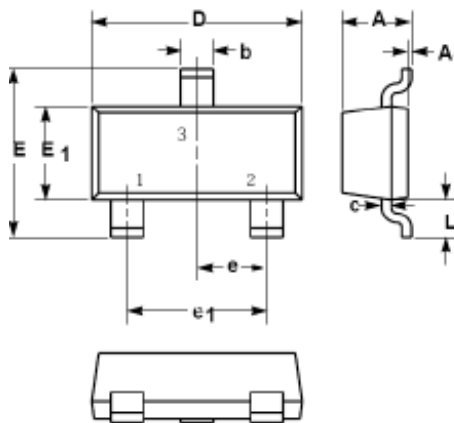
- PC Motherboard
- NB
- LCD Monitor/TV
- Telecom Equipment
- ADSL Modem
- Printer and other Peripheral Equipment

**Mechanical Data**

Case: SOT-323 Plastic  
 Case material: “Green” molding compound, UL flammability classification 94V-0, (No Br. Sb. Cl)  
 Moisture sensitivity: Level 1 per J-STD-020D  
 Lead free in RoHS 2002/95/EC compliant

**Application Circuit**

**SOT-323**



SOT-323		
Dim.	Min.	Max.
A	0.90	1.10
A1	0.00	0.10
b	0.20	0.40
c	0.08	0.15
D	2.00	2.20
E	2.15	2.45
E1	1.15	1.35
e	0.65 Typ.	
e1	1.20	1.40
L	0.525 Ref.	
Dimensions in millimeter		

**Fast Switching Diode**

**Features**

Fast switching speed  
 Ideally suited for automatic insertion  
 For general purpose switching applications

**Applications**

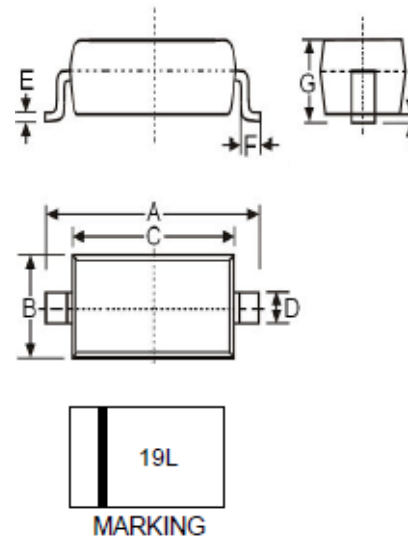
- PC Motherboard
- NB
- LCD Monitor/TV
- Telecom Equipment
- ADSL Modem
- Printer and other Peripheral Equipment

**Mechanical Data**

Case: SOD-123 Plastic  
 Case material: "Green" molding compound, UL flammability classification 94V-0, (No Br. Sb. Cl)  
 Moisture sensitivity: Level 1 per J-STD-020D  
 Lead free in RoHS 2002/95/EC compliant  
 Weight: approx. 4.3m grams

**Application Circuit**

**SOD-123**



SOD-123		
Dim.	Min.	Max.
A	3.55	3.85
B	1.40	1.70
C	2.55	2.85
D	0.55 Typical	
E	0.11 Typical	
F	0.25	—
G	—	1.35
H	—	0.10
All Dimensions in millimeter		

**Features**

- For surface mounted application
- Silicon epitaxial planar diode
- High speed switching
- Ultra small surface mount package
- Low leakage current

**Applications**

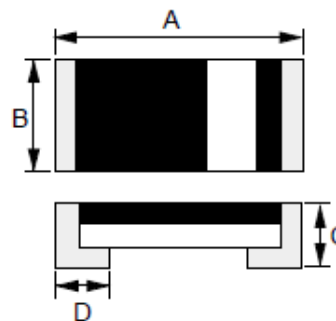
- Adaptor
- NB
- LCD Monitor/ TV
- Telecom Equipment
- ADSL Modem
- Communication and other Peripheral Equipment

**Mechanical Data**

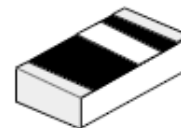
- Case : 1206
- Case Material: "Green" molding compound, UL flammability classification 94V-0, (No Br. Sb. Cl)
- Terminals: Lead Free Plating
- Polarity : Color band denotes cathode
- Weight : Approx.10mg

**Application Circuit**

1206



1206		
Dim.	Min.	Max.
A	3.00	3.40
B	1.30	1.70
C	0.75	0.95
D	0.35	0.75
All Dimensions in millimeter		



# *MMSZ52xxB*

## *Zener Diode SOD-123*

### Features

- Planar die construction
- 500mW power dissipation rating
- Ultra-small surface mount package

### Applications

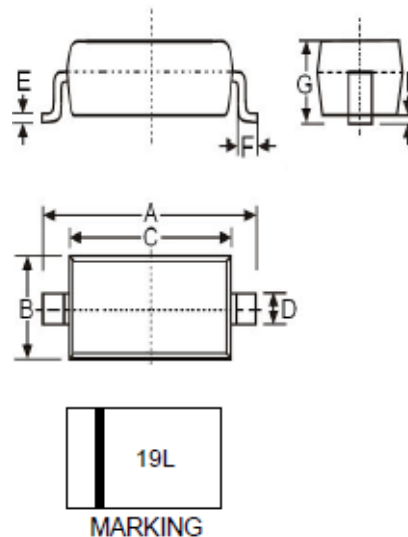
- NB/ MB
- LCD Monitor/ TV
- ADSL Modem
- Setup Box
- Communication and other Peripheral Equipment

### Mechanical Data

Case: SOD-123 Plastic  
 Case Material: "Green" molding compound, UL flammability classification 94V-0, (No Br. Sb. Cl)  
 Moisture Sensitivity: Level 1 per J-STD-020D  
 Lead Free in RoHS 2002/95/EC Compliant

### Application Circuit

#### SOD-123



SOD-123		
Dim.	Min.	Max.
A	3.55	3.85
B	1.40	1.70
C	2.55	2.85
D	0.55 Typical	
E	0.11 Typical	
F	0.25	—
G	—	1.35
H	—	0.10
All Dimensions in millimeter		

**0.4pF 4CH ARRAY in SOT23-6 with Back Drive Protect**

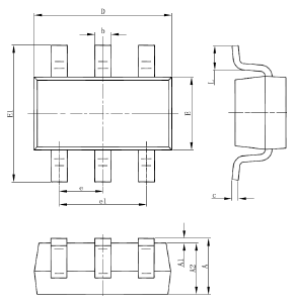
**Features**

Protects Up to Four I/O Line & Power Line  
 Low Capacitance : 0.3pF typical (I/O to I/O)  
 Low Clamping Voltage  
 IEC 61000-4-2, Level 4 (ESD), >±15KV by Air,  
 >±8KV by Contact

**Applications**

- HDMI
- DVI
- USB2.0/3.0
- Monitors & TVs
- IEEE 1394 Firewire Port
- D-SUB

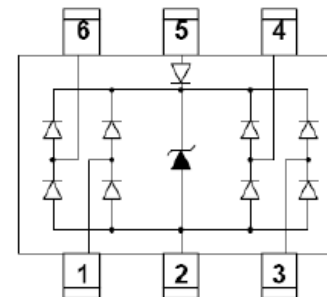
**Package & Dimension**



SOT23-6L		
DIM.	MIN.	MAX.
A	0.90	1.45
A1	0.00	0.15
A2	0.90	1.30
b	0.30	0.50
c	0.08	0.22
D	2.45	3.00
E	1.50	1.75
E1	2.80 typ.	
e	0.95 typ.	
e1	1.90 typ.	
L	0.30	0.60
All Dimensions in millimeter		

PIN ASSIGNMENT	
1, 3, 4, 6	I/O Lines
5	V <sub>CC</sub>
2	Ground

**Layout**



4 lines Protection



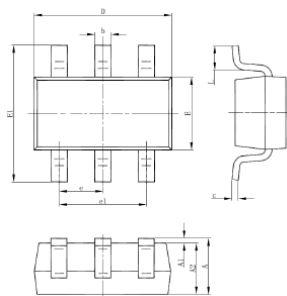
**Features**

Protects Up to Four I/O Line & Power Line  
 Low Capacitance : 0.3pF typical (I/O to I/O)  
 Low Clamping Voltage  
 IEC 61000-4-2, Level 4 (ESD), >±15KV by Air,  
 >±8KV by Contact

**Applications**

- HDMI
- DVI
- USB2.0/3.0
- Monitors & TVs
- IEEE 1394 Firewire Port
- D-SUB

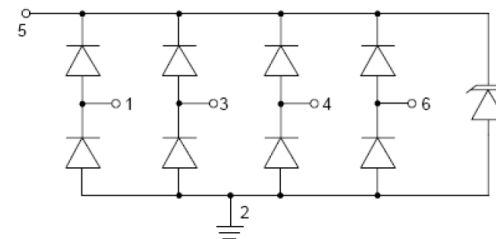
**Package & Dimension**



SOT23-6L		
DIM.	MIN.	MAX.
A	0.90	1.45
A1	0.00	0.15
A2	0.90	1.30
b	0.30	0.50
c	0.08	0.22
D	2.45	3.00
E	1.50	1.75
E1	2.80 typ.	
e	0.95 typ.	
e1	1.90 typ.	
L	0.30	0.60
All Dimensions in millimeter		

PIN ASSIGNMENT	
1, 3, 4, 6	I/O Lines
5	V <sub>CC</sub>
2	Ground

**Layout**



4 lines Protection



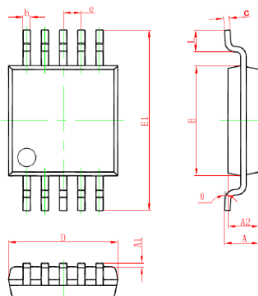
## Features

Flow Through design  
 Protects four I/O Lines and VCC Line  
 Low Capacitance : 0.3pF typical (I/O to I/O)  
 Low Clamping Voltage  
 IEC 61000-4-2, Level 4 (ESD), >±15KV by Air,  
 >±8KV by Contact

## Applications

- HDMI/DP
- DVI
- USB 3.0
- Set Top Box
- Monitors and TVs
- Projectors

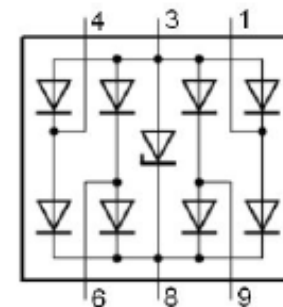
## Package & Dimension



MSOP-10L		
DIM.	MIN.	MAX.
A	0.82	1.10
A1	0.02	0.15
A2	0.75	0.95
b	0.18	0.28
c	0.09	0.23
D	2.90	3.10
e	0.50 BSC	
E	2.90	3.10
E1	4.75	5.05
L	0.40	0.80
θ	0°	6°
All Dimensions in millimeter		

PIN ASSIGNMENT	
1, 4, 6, 9	Input Lines
2, 5, 7, 10	NC
8	V <sub>CC</sub>
3	Ground

## Layout



4 lines Protection

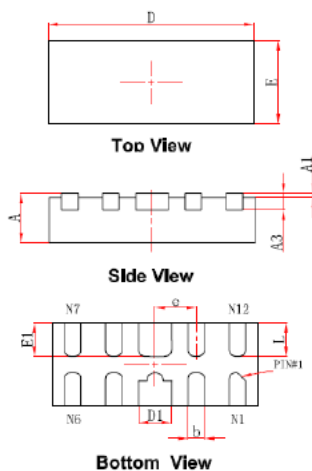
**Features**

Flow Through design  
 Protects four I/O Lines  
 Low Capacitance : 0.3pF typical (I/O to I/O)  
 Low Clamping Voltage  
 IEC 61000-4-2, Level 4 (ESD), >±15KV by Air,  
 >±8KV by Contact

**Applications**

- HDMI/DP
- DVI
- USB 3.0
- MDDI Ports
- Serial ATA
- PCI Express

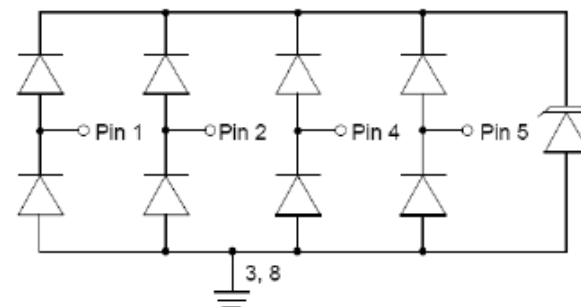
**Package & Dimension**



SLP2510P8		
DIM.	MIN.	MAX.
A	0.45	0.55
A1	0.00	0.05
A3	0.152 REF.	
D	2.45	2.55
E	0.95	1.05
D1	0.35	0.45
E1	0.35	0.45
b	0.15	0.25
e	0.50 BSC	
L	0.35	0.45
All Dimensions in millimeter		

PIN ASSIGNMENT	
1, 2, 4, 5	Input Lines
6, 7, 9, 10	NC
3, 8	Ground

**Layout**



4 lines Protection

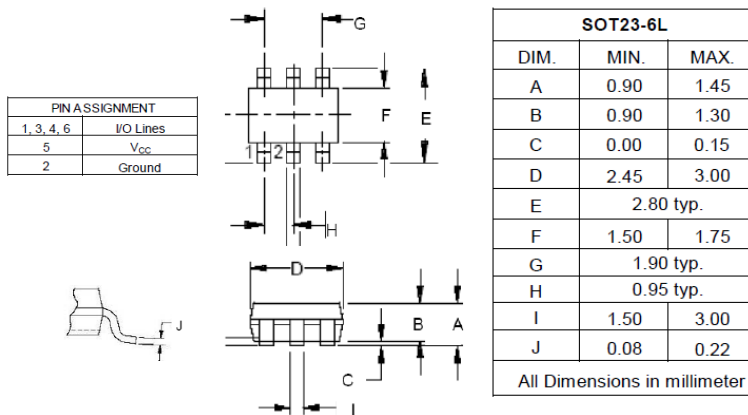
**Features**

Protects Up to Four I/O Line & Power Line  
 Low Capacitance : 0.3pF typical (I/O to I/O)  
 Low Clamping Voltage  
 IEC 61000-4-2, Level 4 (ESD), >±15KV by Air,  
 >±8KV by Contact

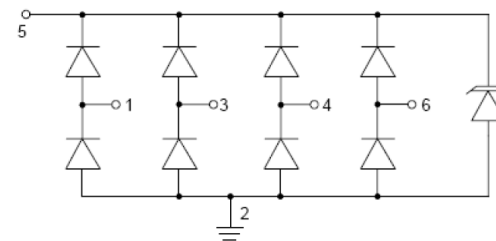
**Applications**

- HDMI
- DVI
- USB2.0/3.0
- USB OTG
- IEEE 1394 Firewire Port
- D-SUB

**Package & Dimension**



**Layout**



4 lines Protection

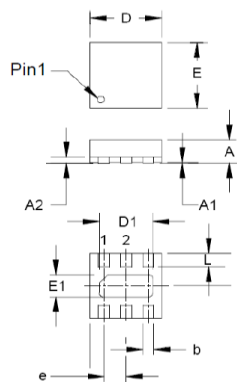
**Features**

Protects Up to Four I/O Line & Power Line  
 Low Capacitance : 1.5pF typical (I/O to I/O)  
 Low Leakage Current and Clamping Voltage  
 IEC 61000-4-2, Level 4 (ESD), >±15KV by Air,  
 >±8KV by Contact

**Applications**

- MDDI Ports
- MMC & SD & SIM Card
- USB 2.0 & OTG
- IEEE 1394 Firewire Port
- D-SUB

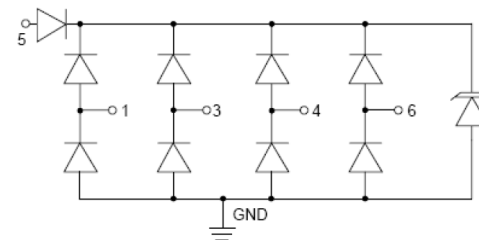
**Package & Dimension**



SLP1616P6		
DIM.	MIN.	MAX.
A	0.50	0.65
A1	0.00	0.05
A2	0.15	
b	0.20	0.30
D	1.50	1.70
D1	1.05	1.30
E	1.50	1.70
E1	0.40	0.65
e	0.50 BSC	
L	0.25	0.40
All Dimensions in millimeter		

PIN ASSIGNMENT	
1, 3, 4, 6	Input/Output Lines
2	Not Connected
5	5V (Optional) or N/C
Center Tab	Ground

**Layout**



4 lines Protection

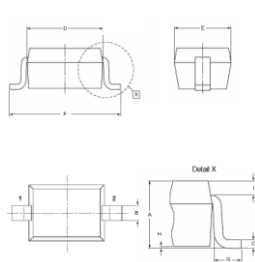
**Features**

Bidirectional ESD Protection of Single Line  
 Max. Peak Pulse Power is 350Watts @ 8/20us  
 Low Clamping Voltage  
 IEC 61000-4-2, Level 4 (ESD), >±15KV by Air,  
 >±8KV by Contact  
 IEC 61000-4-5, Level 2 (Surge), IPP=24A @ 8/20us

**Applications**

- Computers and Peripherals
- Communication System
- Portable Electronics
- Cellular handsets and Accessories
- Notebook, Desktops and Servers
- RJ45

**Package & Dimension**

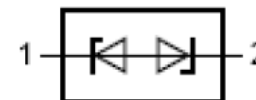


SOD323		
DIM.	MIN.	MAX.
A	0.80	1.10
B	0.25	0.40
C	0.10	0.25
D	1.60	1.80
E	1.15	1.35
F	2.30	2.70
G	0.15	0.45
H	---	0.05
I	0.15	0.25

All Dimensions in millimeter

PIN ASSIGNMENT	
1	Cathode
2	Cathode

**Layout**

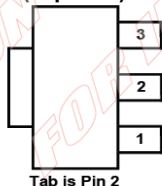


### Features

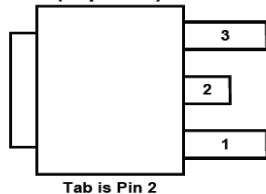
Output Voltage Available in 1.5V, 1.8V, 2.5V and 3.3V  
Stable with a Ceramic Output Capacitor of 4.7uF or Higher  
Low Dropout Voltage: 500mV at 1 A  
Typical low Quiescent Current 40uA  
Over Temperature Shutdown  
Short Circuit Protection  
Package : SOT223-3L, TO252-3L

### Package & Dimension

SOT223-3L  
(Top View)



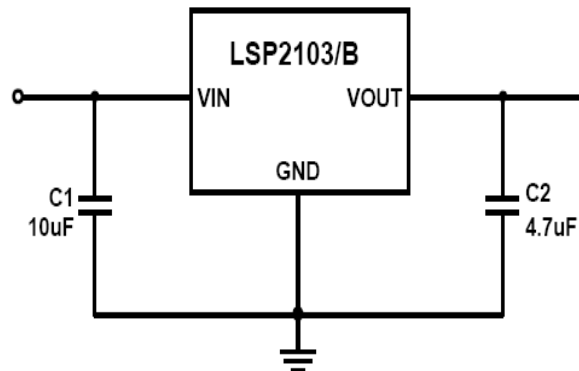
TO252-3L  
(Top View)



### Applications

- SATA Power Supply
- LCD TV/ Monitors
- Wireless Devices
- Communication Devices
- Portable Electronics
- Post Regulator for SMPS

### Application Circuit



## 1.5A Low Dropout CMOS LDO

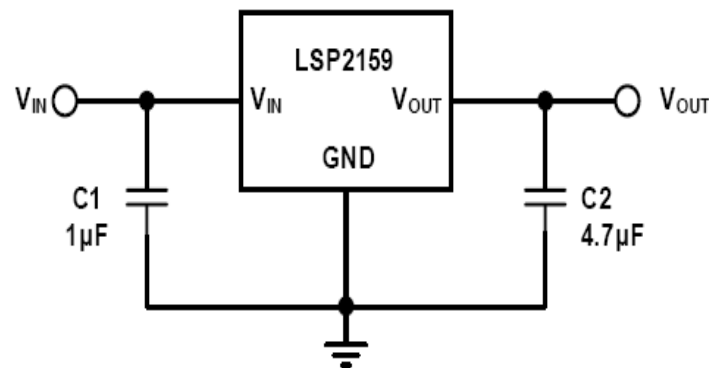
### Features

Output Voltage Available in 1.5V,  
1.8V,2.5V,2.8V,2.85V,3.0V,3.3V,5.0V  
Stable with a Ceramic Output Capacitor of 4.7uF or Higher  
Low Dropout Voltage: 600mV at 1.5 A  
Typical low Quiescent Current 95uA  
Over Temperature Shutdown  
Short Circuit Protection  
Low Temperature Coefficient  
Standard SOT223-3L, TO252-3L and TO263-3L Packages

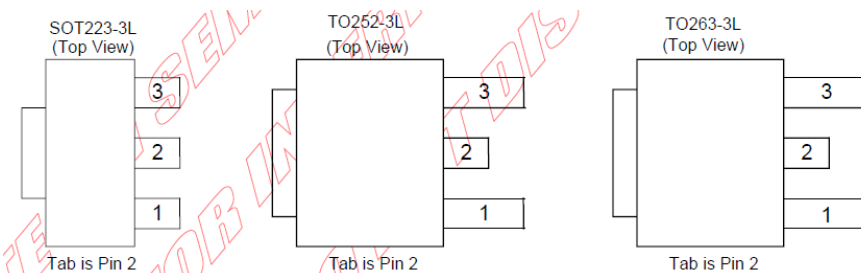
### Applications

- SATA Power Supply
- LCD TV/ Monitors
- Wireless Devices
- Communication Devices
- Portable Electronics
- Post Regulator for SMPS

### Application Circuit



### Package & Dimension

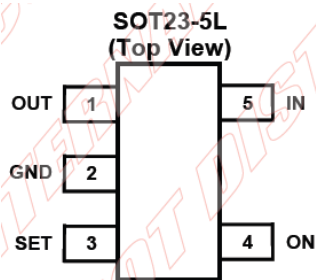


## Current Limited Load Switch

### Features

- 2.7V to 5.5V Input voltage range
- Programmable over current threshold
- Fast transient response: <1us response to short circuit
- Low quiescent current
- 15uA typical
- 1uA max with Switch off
- Only 2.5V needed for ON/OFF Control
- Under Voltage Lockout
- Thermal shutdown
- Package : SOT23-5L

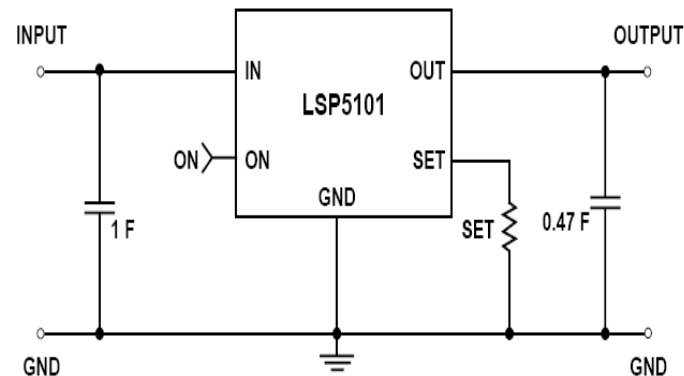
### Package & Dimension



### Applications

- Peripheral ports
- Notebook computers
- Personal communication devices
- Hot Swap Supplier

### Application Circuit

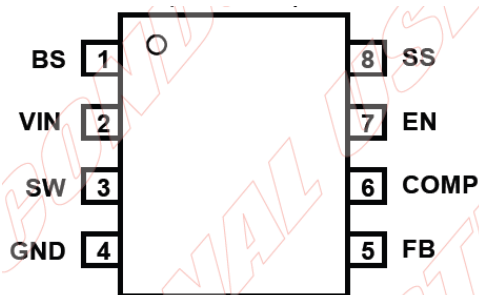


**2A Synchronous Step Down DC/DC Converter**

**Features**

- 2A Output Current
- Wide 4.5V to 27V Operating Input Range
- Integrated 120mΩ Power MOSFET Switches
- Output Adjustable from 0.925V to 24V
- Up to 96% Efficiency
- Programmable Soft-Start
- Stable with Low ESR Ceramic Output Capacitors
- Fixed 400KHz Frequency
- Cycle-by-Cycle Over Current Protection
- Input Under Voltage Lockout
- 8-Pin SOP Package

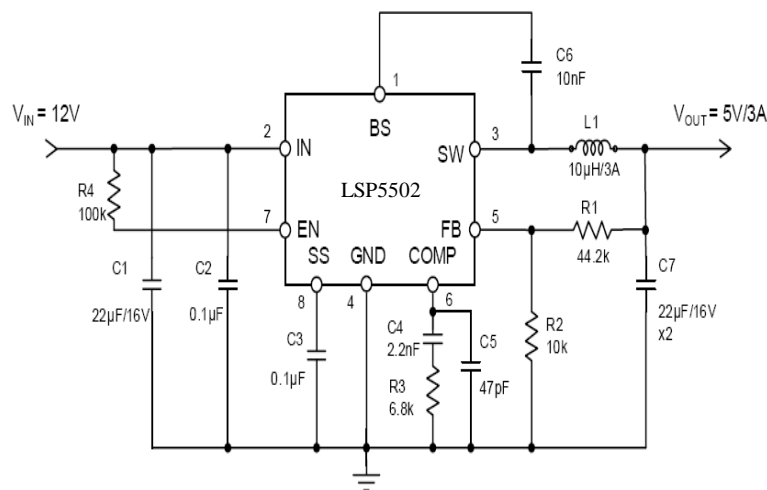
**Package & Dimension**



**Applications**

- Distributed Power Systems
- Networking Systems
- FPGA,DSP,ASIC Power Supplies
- Green Electronics / Appliances
- Notebook Computers

**Application Circuit**



**3A 27V SYNC Buck Converter**

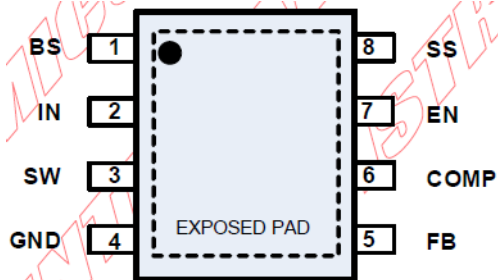
**Features**

- 3A Output Current
- Wide 4.5V to 27V Operating Input Range
- Integrated 100mΩ Power MOSFET Switches
- Output Adjustable from 0.925V to 24V
- Up to 96% Efficiency
- Cycle-by-Cycle Over Current Protection
- Input Under Voltage Lockout
- SOP8L-EP Package

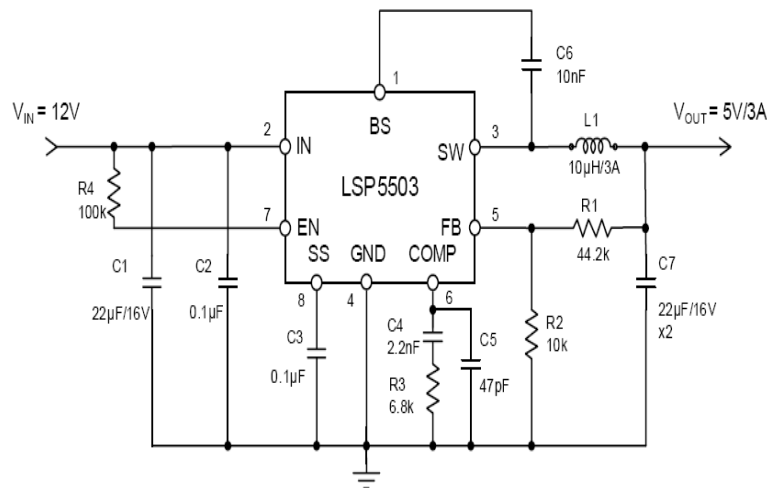
**Applications**

- Distributed Power Systems
- Networking Systems
- FPGA,DSP,ASIC Power Supplies
- Green Electronics / Appliances
- Notebook Computers

**Package & Dimension**



**Application Circuit**

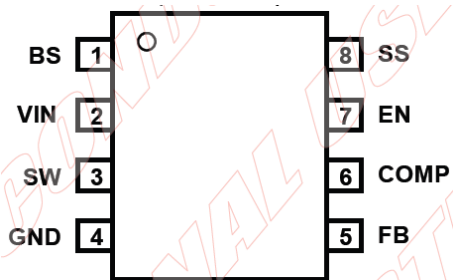


**2A 18V SYNC Buck Converter**

**Features**

- 2A Output Current
- Wide 4.5V to 18V Operating Input Range
- Integrated Power MOSFET Switches
- Output Adjustable from 0.925V to 12V
- Up to 96% Efficiency
- Programmable Soft-Start
- Stable with Low ESR Ceramic Output Capacitors
- Fixed 360KHZ Frequency
- Cycle-by-Cycle Over Current Protection
- Input Under Voltage Lockout
- Package : SOP-8L

**Package & Dimension**



**Applications**

- Distributed Power Systems
- Networking Systems
- FPGA,DSP,ASIC Power Supplies
- Green Electronics / Appliances
- Notebook Computers

**Application Circuit**

