

Lite-On Semiconductor Set Top Box Platform Solutions



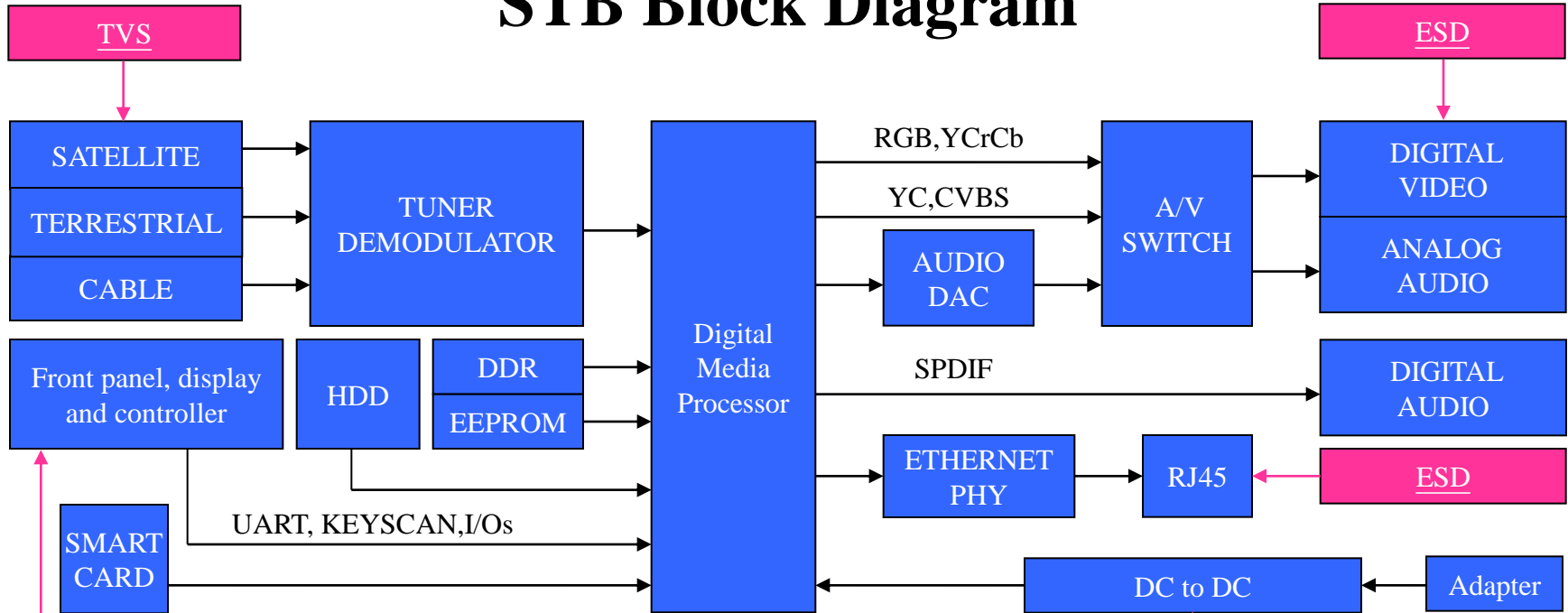
WORLD PRODUCTS, LLC

ELECTRONIC COMPONENT SOLUTIONS

sales@worldproducts.com || www.worldproducts.com

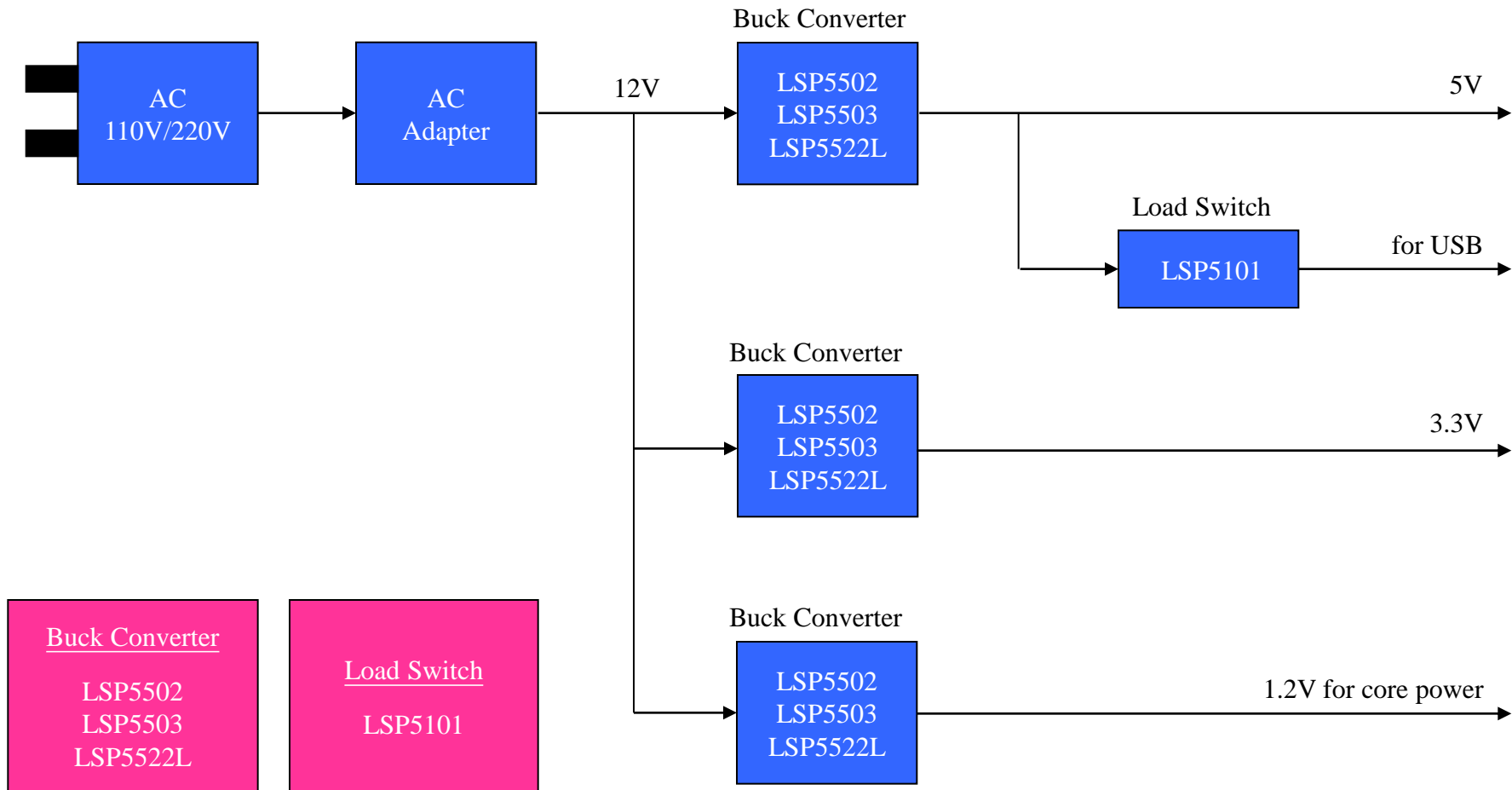
Exclusive agent in the America's for all Lite-On Semiconductor products.

STB Block Diagram



ESD	ESD	ESD	TVS	ESD	SCHOTTKY
ESD + EMI	L04ESD5V0CP2 L13ESD5V0CA2 L13ESD5V0CE2 L35ESD5V0CB2 L30ESD5V0C3-2 L30ESDL5V0C3-2 L30ESDL5V0C6-4	L30ESD12VC3-2 L30ESD24VC3-2 L12ESDL5V0C6-4 L12ESDL5V0JA-4 L13ESDL5V0C6-4 L15ESDL5V0NA-4 L15ESDL5V0C6-4	SMAJ5.0/7.0/9.0A SMAJ12/15/24A ESD+EMI Filter LEF10001M8-4 LEF10001MG-8 LEF10001MC-6	DPM LDO DC-DC	1N5819WL B140,B340A SWITCH BAV99W 1N4148W LS4148W

STB DC to DC Block Diagram



LSC Product Selection Guide

Rectifier product

Part No.	Family	VR Min. (V)	I _{FAV} Max. (A)	I _{FSM} Max. (A)	IR @ VR mA	V _F @ I _F		Package
						Max. (V)	A	
B140	Schottky	40	1	30	0.5	0.5	1	SMA
B340A	Schottky	40	3	100	0.5	0.5	2	SMA
1N5819WL	Schottky	40	1	25	1	0.45	1	SOD-123
BAV99W	Switch	75	0.3	2	2.5uA@75V	1.25	0.15	SOT-23
1N4148W	Switch	75	0.3	2	1uA@75V	1.25	0.15	SOD-123
LS4148W	Switch	75	0.3	2	5uA@75V	1.25	0.15	1206



LSC Product Selection Guide

Transient Voltage Suppressor (TVS)

Device Uni-directional	Device Bi-directional	Working Peak Reverse Voltage	Breakdown voltage VBR Volts		Maximum Reverse Leakage at VRWM	Maximum Reverse Surge Current	Maximum Reverse Voltage at IRSM (Clamping Voltage)	Package
		VRWM(Volts)	Min.	Max.	IR (uA)	IRSM(Amps)	VRSM(Volts)	
SMAJ5.0A	SMAJ5.0CA	5.0	6.40	7.07	800	43.5	9.2	SMA
SMAJ7.0A	SMAJ7.0CA	7.0	7.78	8.60	200	33.3	12.0	
SMAJ9.0A	SMAJ9.0CA	9.0	10.0	11.1	5	26.0	15.4	
SMAJ12A	SMAJ12CA	12.0	13.3	14.7	5	20.1	19.9	
SMAJ15A	SMAJ15CA	15.0	16.7	18.5	5	16.4	24.4	
SMAJ24A	SMAJ24CA	24.0	26.7	29.5	5	10.3	38.9	



LSC Product Selection Guide

Surface Mount ESD Protection Device

Part Number	Peak Power Dissipation 8x20μs	Reverse standoff voltage	Max Reverse Leakage @ VR	Max Clamping Voltage @8x20μs	Peak Pulse Current 8x20μs	Off-State Capacitance 1MHz Zero DC Bias	Package
		VR	IR	Vc	Ipp	Co	
	W	V	uA	V	A	pF	
L04ESD5V0CP2	40	5	0.1	12.5	3.5	4.5 (typ)	SOD-923
L13ESD5V0CA2	130	5	0.1	14	12	45	SOD-523
L13ESD5V0CE2	130	5	0.01	14	12	45	SOD-882
L30ESDL5V0C3-2	340	5	5	20	17	1.2	SOT-23
L30ESD5V0C3-2	300	5	1	20	15	160	SOT-23
L30ESDL5V0C6-4	300	5	5	17.5	5	1.5 (typ)	SOT-23-6L
L30ESD12VC3-2	300	12	1	25	12	100	SOT-23
L30ESD24VC3-2	300	24	1	43	4	30 (typ)	SOT-23
L13ESDL5V0C6-4	130	5	1	15	1	0.8	SOT-23-6L
L12ESDL5V0C6-4	120	5	1	24	5	0.8	SOT-23-6L
L12ESDL5V0JA-4	120	5	1	15	1	0.9	MSOP-10L
L15ESDL5V0NA-4	150	5	1	15	1	0.8	SLP2510P8
L15ESDL5V0C6-4	150	5	1	15	1	0.8	SOT-23-6L
L35ESD5V0CB2	350	5	10	14.5	24	200	SOD-323



LSC Product Selection Guide

Surface Mount ESD Protection Device with EMI Filter

Part Number	Peak Power Dissipation 8x20μs	Reverse standoff voltage	Max Reverse Leakage @ VR	Resistance	Off-State Capacitance 0MHz 2.5V DC Bias	Off-State Capacitance 1MHz Zero DC Bias	Package
		VR	IR	R	Co	Co	
	W	V	μA	Ohm	pF	pF	
LEF10001M8-4	----	5	0.5	100	11	20	SLP2116P8
LEF10001MC-6	-----	5	0.5	100	11	20	SLP3016P12
LEF10001MG-8	-----	5	0.5	100	11	20	SLP4016P16



LSC Product Selection Guide

DPM Load Switch

Part No.	Type	Input Voltage	I _Q	Current Limit	Turn On/Off Time	RDS,ON	Package
LSP5101	ADJ	2.7V ~ 5.5V	15uA	1.25A	200uS/2uS	160mΩ	SOT23 -5L

a: Pre-Charge current; b: Soft start; c: Under voltage lock out; d: Thermal protection

DPM Step-Down DC/DC Converter

Part No.	Features	Input Voltage	Output Voltage	Output Current	Frequency	Output Channel	Standby Current	Feedback Voltage	Package
LSP5502	a,c,d,e,f,g,h,j,k	27	ADJ	2A	380KHz	1	10uA	0.925V	SOP-8L
LSP5503	a,c,d,e,f,g,h,j,k	27	ADJ	3A	380KHz	1	10uA	0.925V	ESOP-8L
LSP5522L	a,c,d,e,f,g,h,j,k	18V	ADJ	2A	380KHz	1	10uA	0.925V	SOP-8L

a: Synchronous stepdown; b: Asynchronous stepdown; c: Enable/shutdown control; d: Internal Switch; e: Current Limit; f: Thermal Shutdown



1A Schottky Rectifier

Features

For surface mounted applications
 Very Low forward voltage drop
 High current capability
 Plastic material has UL flammability classification 94V-0
 For use in low voltage, high frequency inverters,
 free wheeling, and polarity protection applications

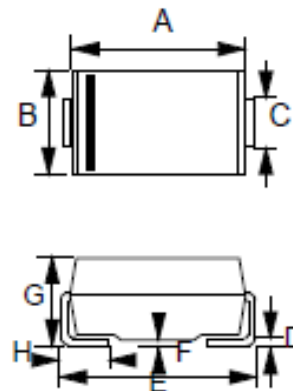
Applications

- PC Motherboard
- NB
- LCD Monitor/TV
- Telecom Equipment
- ADSL Modem
- Printer and other Peripheral Equipment

Mechanical Data

Case : Molded plastic
 Polarity : Indicated by cathode band
 Weight : 0.002 ounces, 0.064 grams

Application Circuit



SMA		
DIM.	MIN.	MAX.
A	4.06	4.57
B	2.29	2.92
C	1.27	1.63
D	0.15	0.31
E	4.83	5.59
F	0.05	0.20
G	2.01	2.40
H	0.76	1.52
All Dimensions in millimeter		



Features

For surface mounted applications
 Very Low forward voltage drop
 High current capability
 Plastic material has UL flammability classification 94V-0
 For use in low voltage, high frequency inverters,
 free wheeling, and polarity protection applications

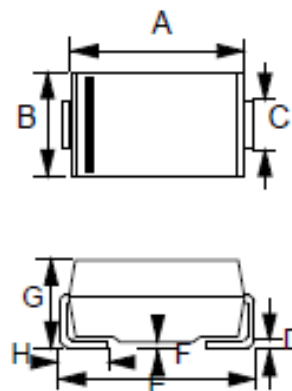
Applications

- PC Motherboard
- NB
- LCD Monitor/TV
- Telecom Equipment
- ADSL Modem
- Printer and other Peripheral Equipment

Mechanical Data

Case : Molded plastic
 Polarity : Indicated by cathode band
 Weight : 0.002 ounces, 0.064 grams

Application Circuit



SMA		
DIM.	MIN.	MAX.
A	4.06	4.57
B	2.29	2.92
C	1.27	1.63
D	0.15	0.31
E	4.83	5.59
F	0.05	0.20
G	2.01	2.40
H	0.76	1.52
All Dimensions in millimeter		

1N5819WL

1A Schottky Rectifier

Features

- Low Forward Voltage Drop
- High Surge Capability and High Current Capability
- For Surface Mounted Applications
- High Conductance
- Guard Ring Construction for Transient Protection

Applications

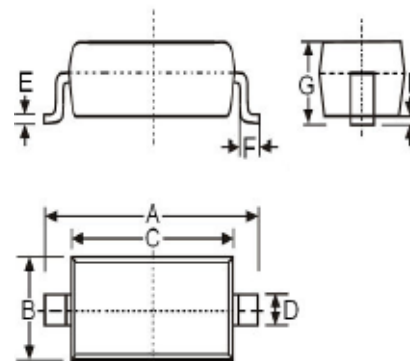
- PC Motherboard
- NB
- LCD Monitor/TV
- Telecom Equipment
- ADSL Modem
- Printer and other Peripheral Equipment

Mechanical Data

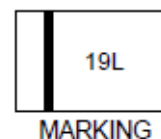
Case: SOD-123 Plastic
 Case Material: "Green" molding compound, UL flammability classification 94V-0, (No Br. Sb. Cl)
 Moisture Sensitivity: Level 1 per J-STD-020D
 Lead Pb-Free in RoHS 2002/95/EC Compliant
 Weight: approx. 0.01 grams (approximate)

Application Circuit

SOD-123



SOD-123		
Dim.	Min.	Max.
A	3.55	3.85
B	1.40	1.70
C	2.55	2.85
D	0.55 Typical	
E	0.11 Typical	
F	0.25	—
G	—	1.35
H	—	0.10
All Dimensions in millimeter		



Features

- Fast switching speed
- Ideally suited for automatic insertion
- For general purpose switching applications

Applications

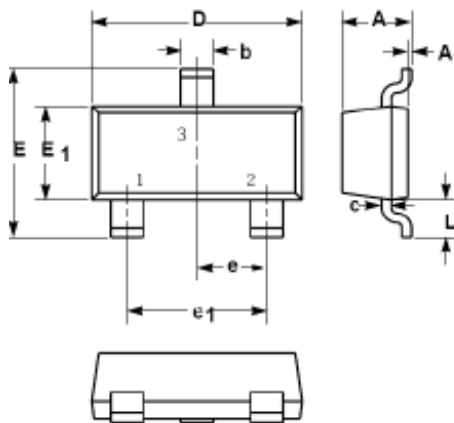
- PC Motherboard
- NB
- LCD Monitor/TV
- Telecom Equipment
- ADSL Modem
- Printer and other Peripheral Equipment

Mechanical Data

Case: SOT-323 Plastic
 Case material: “Green” molding compound, UL flammability classification 94V-0, (No Br. Sb. CI)
 Moisture sensitivity: Level 1 per J-STD-020D
 Lead free in RoHS 2002/95/EC compliant

Application Circuit

SOT-323



SOT-323		
Dim.	Min.	Max.
A	0.90	1.10
A1	0.00	0.10
b	0.20	0.40
c	0.08	0.15
D	2.00	2.20
E	2.15	2.45
E1	1.15	1.35
e	0.65 Typ.	
e1	1.20	1.40
L	0.525 Ref.	
Dimensions in millimeter		

Fast Switching Diode

Features

Fast switching speed
 Ideally suited for automatic insertion
 For general purpose switching applications

Applications

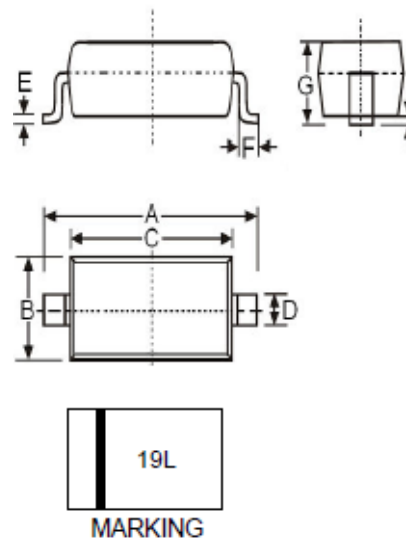
- PC Motherboard
- NB
- LCD Monitor/TV
- Telecom Equipment
- ADSL Modem
- Printer and other Peripheral Equipment

Mechanical Data

Case: SOD-123 Plastic
 Case material: “Green” molding compound, UL flammability classification 94V-0, (No Br. Sb. Cl)
 Moisture sensitivity: Level 1 per J-STD-020D
 Lead free in RoHS 2002/95/EC compliant
 Weight: approx. 4.3m grams

Application Circuit

SOD-123



SOD-123		
Dim.	Min.	Max.
A	3.55	3.85
B	1.40	1.70
C	2.55	2.85
D	0.55 Typical	
E	0.11 Typical	
F	0.25	—
G	—	1.35
H	—	0.10
All Dimensions in millimeter		

Features

- For surface mounted application
- Silicon epitaxial planar diode
- High speed switching
- Ultra small surface mount package
- Low leakage current

Applications

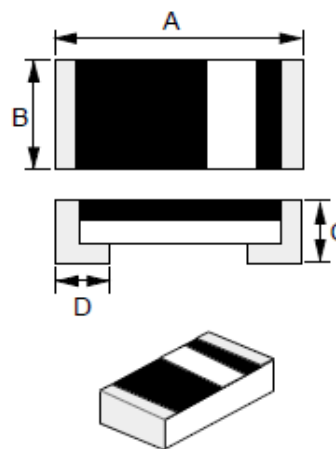
- Adaptor
- NB
- LCD Monitor/ TV
- Telecom Equipment
- ADSL Modem
- Communication and other Peripheral Equipment

Mechanical Data

- Case : 1206
- Case Material: "Green" molding compound, UL flammability classification 94V-0, (No Br. Sb. Cl)
- Terminals: Lead Free Plating
- Polarity : Color band denotes cathode
- Weight : Approx.10mg

Application Circuit

1206



1206		
Dim.	Min.	Max.
A	3.00	3.40
B	1.30	1.70
C	0.75	0.95
D	0.35	0.75
All Dimensions in millimeter		



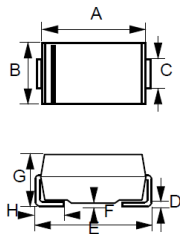
SMAJ Series

400W Surface TVS

Features

For Surface Mounted Applications
 Reliable Low Cost Construction Utilizing Molded Plastic Technique
 Plastic Material Has UL Flammability Classification 94V-O
 Typical IR Less than 1uA Above 10A
 Fast Response Time : Typically Less than 1ns for Uni-direction,
 Less than 5ns for Bi-direction from 0 voltage to BV min.

Package & Dimension



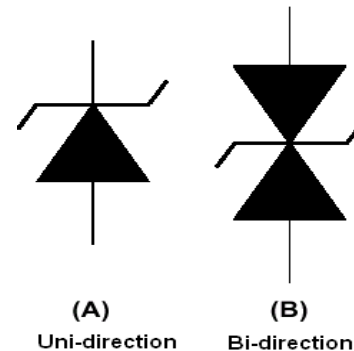
SMA		
DIM.	MIN.	MAX.
A	4.06	4.57
B	2.29	2.92
C	1.27	1.63
D	0.15	0.31
E	4.83	5.59
F	0.05	0.20
G	1.96	2.40
H	0.76	1.52

All Dimensions in millimeter

Characteristics

- Stand Off Voltage is 4.0V to 200V
- Power Dissipation is 400W
- Peak Forward Surge Current 40A
- Steady State Power Dissipation 1.0W
- Maximum Instantaneous Forward Voltage 3.5V

Layout



L04ESD5V0CP2

4.5pF Bidirectional in SOD923

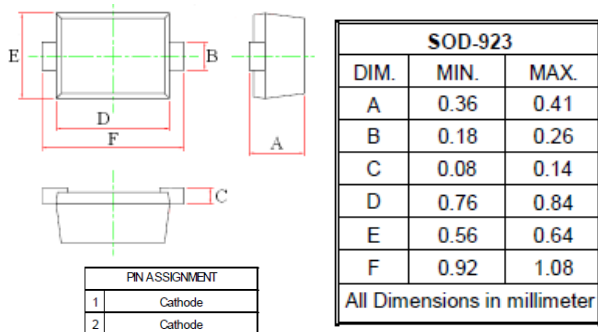
Features

Bidirectional ESD Protection of Single Line
 Max. Peak Pulse Power is 40Watts @ 8/20us
 Low Clamping Voltage
 IEC 61000-4-2, Level 4 (ESD), >±15KV by Air,
 >±8KV by Contact

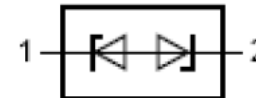
Applications

- Computers and Peripherals
- Communication System
- Portable Electronics
- Cellular handsets and Accessories
- Notebook, Desktops and Servers
- Audio & Video Equipment

Package & Dimension



Layout



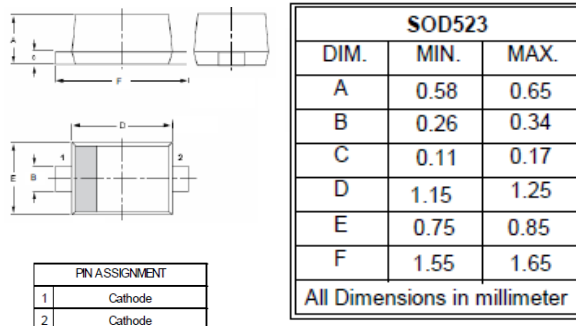
Features

Bidirectional ESD Protection of Single Line
 Max. Peak Pulse Power is 130Watts @ 8/20us
 Low Clamping Voltage
 IEC 61000-4-2, Level 4 (ESD), >±15KV by Air,
 >±8KV by Contact
 IEC 61000-4-5, Level 1 (Surge), Ipp=12A @ 8/20us

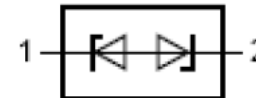
Applications

- Computers and Peripherals
- Communication System
- Portable Electronics
- Notebook, Desktops and Servers
- Audio & Video Equipment

Package & Dimension



Layout



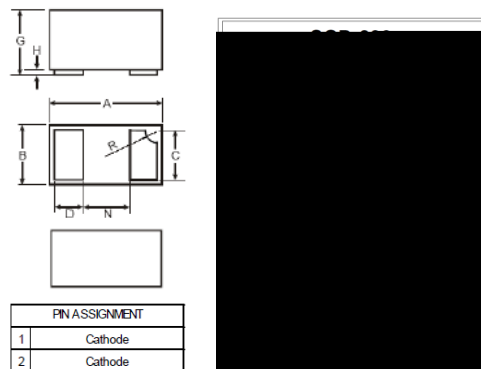
Features

Bidirectional ESD Protection of Single Line
Max. Peak Pulse Power is 130Watts @ 8/20us
Low Clamping Voltage
IEC 61000-4-2, Level 4 (ESD), >±15KV by Air,
>±8KV by Contact
IEC 61000-4-5, Level 1 (Surge), Ipp=12A @ 8/20us

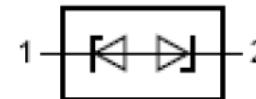
Applications

- Computers and Peripherals
- Communication System
- Portable Electronics
- Notebook, Desktops and Servers
- Audio & Video Equipment

Package & Dimension



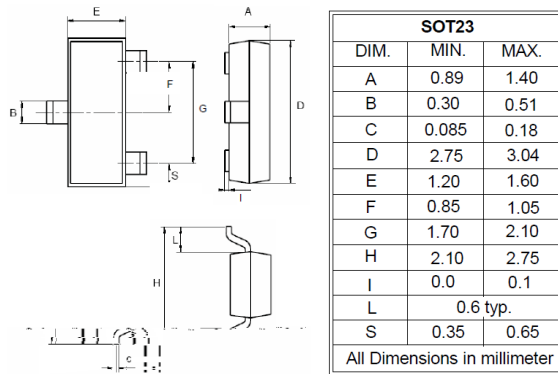
Layout



Features

Unidirectional ESD Protection of Two Lines
 Max. Peak Pulse Power is 340Watts @ 8/20us
 ESD protection skill >23KV
 Low Clamping Voltage
 IEC 61000-4-2, Level 4 (ESD), >±15KV by Air,
 >±8KV by Contact
 IEC 61000-4-5, Level 1 (Surge), Ipp=17A @ 8/20us

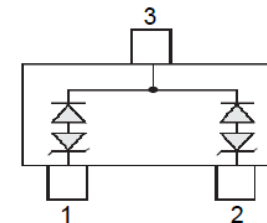
Package & Dimension



Applications

- Computers and Peripherals
- Communication System
- 10/100/1000 Ethernet
- Local Area Network (LAN) Equipment
- High Speed Interface
- 100% Tin Matte Finish (Lead-Free Product)

Layout



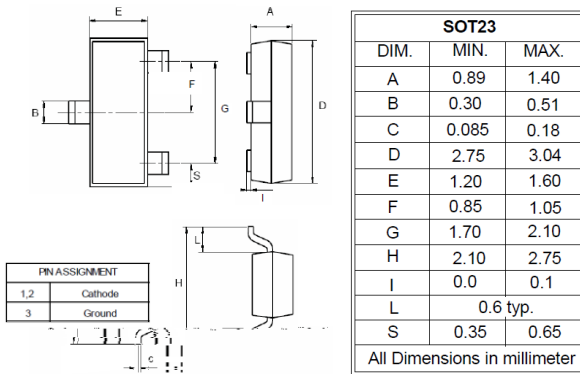
Features

Unidirectional ESD Protection of Two Lines
 Max. Peak Pulse Power is 300Watts @ 8/20us
 ESD protection skill >25KV
 Low Clamping Voltage
 IEC 61000-4-2, Level 4 (ESD), >±15KV by Air,
 >±8KV by Contact

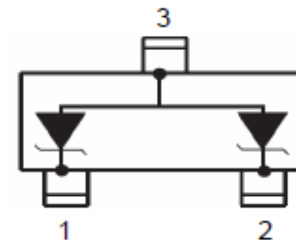
Applications

- Computers and Peripherals
- Communication System
- 10/100/1000 Ethernet
- Local Area Network (LAN) Equipment
- High Speed Interface
- 100% Tin Matte Finish (Lead-Free Product)

Package & Dimension



Layout



L30ESDL5V0C6-4

4CH Level 1 Surge Protection

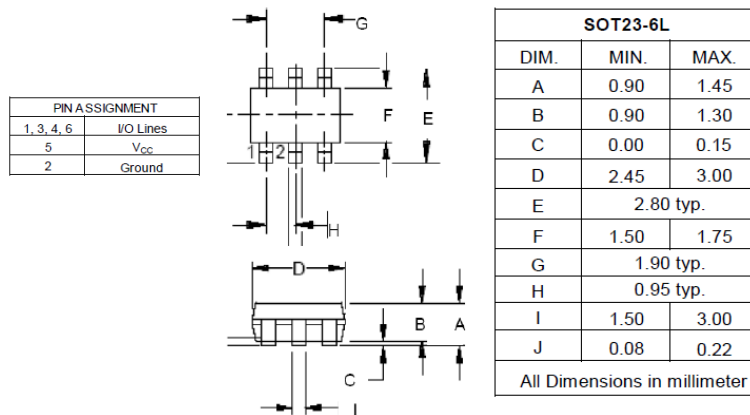
Features

Protects Up to Four I/O Line & Power Line
 Low Capacitance : 0.3pF typical (I/O to I/O)
 Low Clamping Voltage
 IEC 61000-4-2, Level 4 (ESD), >±15KV by Air,
 >±8KV by Contact

Applications

- HDMI
- DVI
- USB2.0/3.0
- USB OTG
- IEEE 1394 Firewire Port
- D-SUB

Package & Dimension



Layout

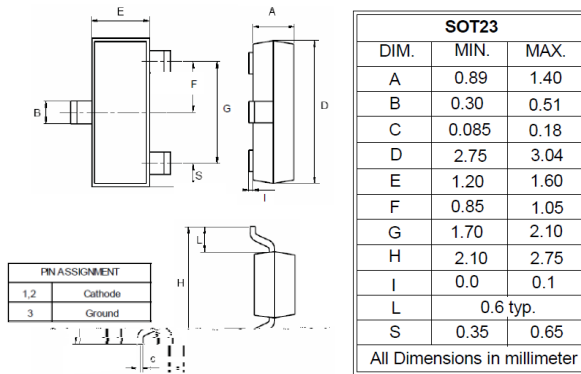
Features

Unidirectional ESD Protection of Two Lines
 Max. Peak Pulse Power is 300Watts @ 8/20us
 ESD protection skill >25KV
 Low Clamping Voltage
 IEC 61000-4-2, Level 4 (ESD), >±15KV by Air,
 >±8KV by Contact

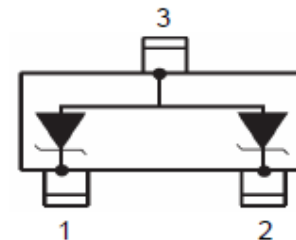
Applications

- Computers and Peripherals
- Communication System
- 10/100/1000 Ethernet
- Local Area Network (LAN) Equipment
- High Speed Interface
- 100% Tin Matte Finish (Lead-Free Product)

Package & Dimension



Layout



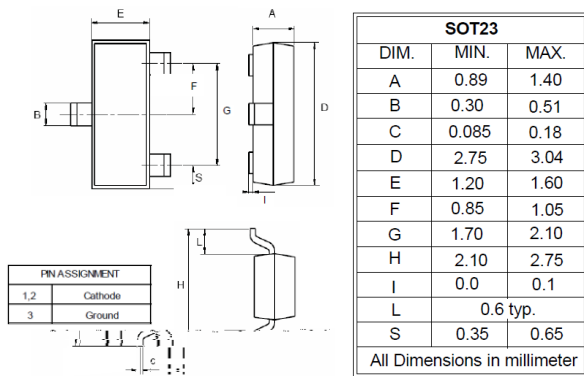
Features

Unidirectional ESD Protection of Two Lines
 Max. Peak Pulse Power is 300Watts @ 8/20us
 ESD protection skill >25KV
 Low Clamping Voltage
 IEC 61000-4-2, Level 4 (ESD), >±15KV by Air,
 >±8KV by Contact

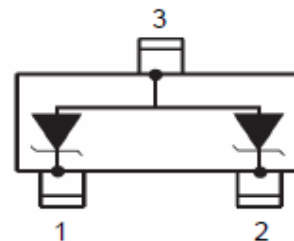
Applications

- Computers and Peripherals
- Communication System
- 10/100/1000 Ethernet
- Local Area Network (LAN) Equipment
- High Speed Interface
- 100% Tin Matte Finish (Lead-Free Product)

Package & Dimension



Layout



0.4pF 4CH ARRAY in SOT23-6 with Back Drive Protect

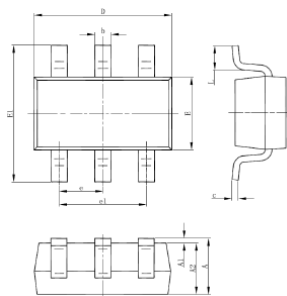
Features

Protects Up to Four I/O Line & Power Line
 Low Capacitance : 0.3pF typical (I/O to I/O)
 Low Clamping Voltage
 IEC 61000-4-2, Level 4 (ESD), >±15KV by Air,
 >±8KV by Contact

Applications

- HDMI
- DVI
- USB2.0/3.0
- Monitors & TVs
- IEEE 1394 Firewire Port
- D-SUB

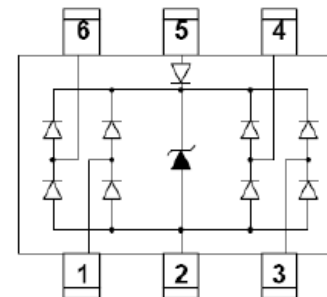
Package & Dimension



SOT23-6L		
DIM.	MIN.	MAX.
A	0.90	1.45
A1	0.00	0.15
A2	0.90	1.30
b	0.30	0.50
c	0.08	0.22
D	2.45	3.00
E	1.50	1.75
E1	2.80 typ.	
e	0.95 typ.	
e1	1.90 typ.	
L	0.30	0.60
All Dimensions in millimeter		

PIN ASSIGNMENT	
1, 3, 4, 6	I/O Lines
5	V _{CC}
2	Ground

Layout



4 lines Protection



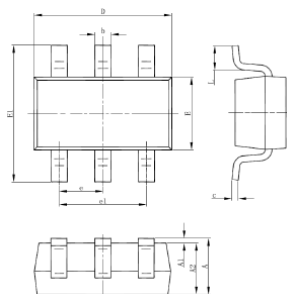
Features

Protects Up to Four I/O Line & Power Line
 Low Capacitance : 0.3pF typical (I/O to I/O)
 Low Clamping Voltage
 IEC 61000-4-2, Level 4 (ESD), >±15KV by Air,
 >±8KV by Contact

Applications

- HDMI
- DVI
- USB2.0/3.0
- Monitors & TVs
- IEEE 1394 Firewire Port
- D-SUB

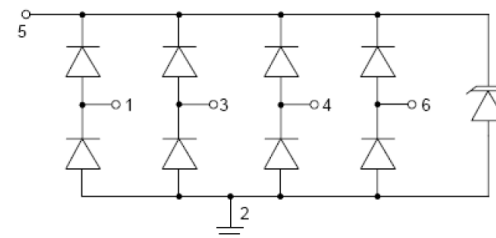
Package & Dimension



SOT23-6L		
DIM.	MIN.	MAX.
A	0.90	1.45
A1	0.00	0.15
A2	0.90	1.30
b	0.30	0.50
c	0.08	0.22
D	2.45	3.00
E	1.50	1.75
E1	2.80 typ.	
e	0.95 typ.	
e1	1.90 typ.	
L	0.30	0.60
All Dimensions in millimeter		

PIN ASSIGNMENT	
1, 3, 4, 6	I/O Lines
5	V _{CC}
2	Ground

Layout



4 lines Protection



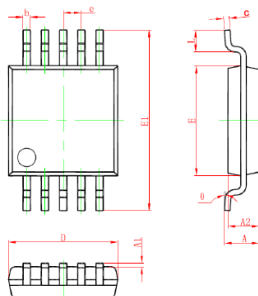
Features

Flow Through design
 Protects four I/O Lines and VCC Line
 Low Capacitance : 0.3pF typical (I/O to I/O)
 Low Clamping Voltage
 IEC 61000-4-2, Level 4 (ESD), >±15KV by Air,
 >±8KV by Contact

Applications

- HDMI/DP
- DVI
- USB 3.0
- Set Top Box
- Monitors and TVs
- Projectors

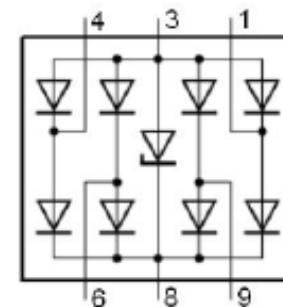
Package & Dimension



MSOP-10L		
DIM.	MIN.	MAX.
A	0.82	1.10
A1	0.02	0.15
A2	0.75	0.95
b	0.18	0.28
c	0.09	0.23
D	2.90	3.10
e	0.50 BSC	
E	2.90	3.10
E1	4.75	5.05
L	0.40	0.80
θ	0°	6°
All Dimensions in millimeter		

PIN ASSIGNMENT	
1, 4, 6, 9	Input Lines
2, 5, 7, 10	NC
8	V _{CC}
3	Ground

Layout



4 lines Protection

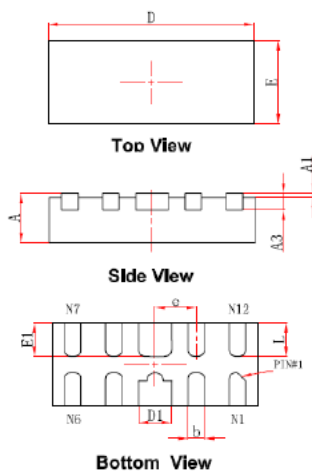
Features

Flow Through design
 Protects four I/O Lines
 Low Capacitance : 0.3pF typical (I/O to I/O)
 Low Clamping Voltage
 IEC 61000-4-2, Level 4 (ESD), >±15KV by Air,
 >±8KV by Contact

Applications

- HDMI/DP
- DVI
- USB 3.0
- MDDI Ports
- Serial ATA
- PCI Express

Package & Dimension

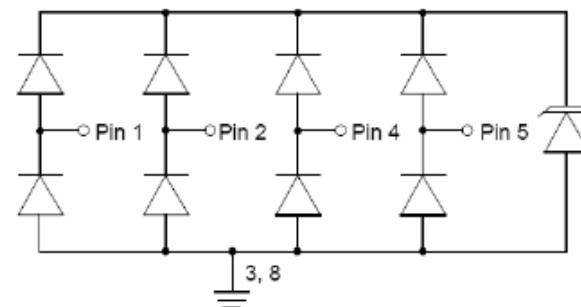


SLP2510P8		
DIM.	MIN.	MAX.
A	0.45	0.55
A1	0.00	0.05
A3	0.152 REF.	
D	2.45	2.55
E	0.95	1.05
D1	0.35	0.45
E1	0.35	0.45
b	0.15	0.25
e	0.50 BSC	
L	0.35	0.45

All Dimensions in millimeter

PIN ASSIGNMENT	
1, 2, 4, 5	Input Lines
6, 7, 9, 10	NC
3, 8	Ground

Layout



4 lines Protection

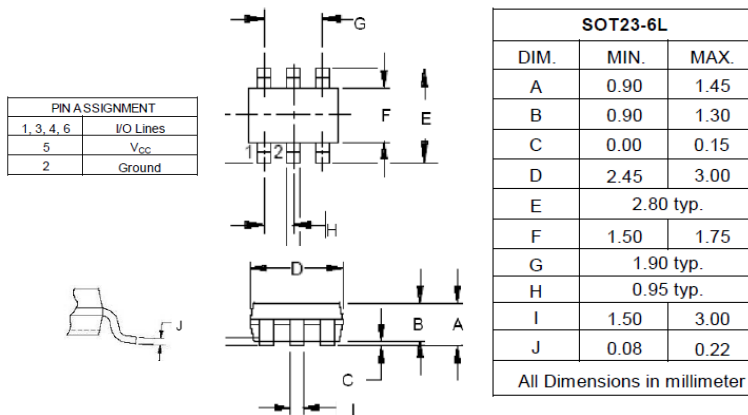
Features

Protects Up to Four I/O Line & Power Line
 Low Capacitance : 0.3pF typical (I/O to I/O)
 Low Clamping Voltage
 IEC 61000-4-2, Level 4 (ESD), >±15KV by Air,
 >±8KV by Contact

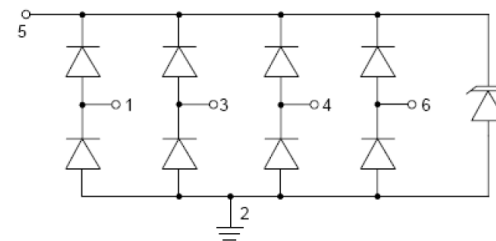
Applications

- HDMI
- DVI
- USB2.0/3.0
- USB OTG
- IEEE 1394 Firewire Port
- D-SUB

Package & Dimension



Layout



4 lines Protection

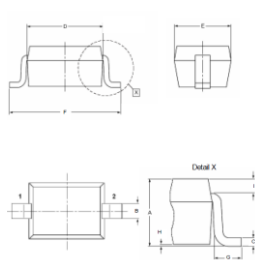
Features

Bidirectional ESD Protection of Single Line
 Max. Peak Pulse Power is 350Watts @ 8/20us
 Low Clamping Voltage
 IEC 61000-4-2, Level 4 (ESD), >±15KV by Air,
 >±8KV by Contact
 IEC 61000-4-5, Level 2 (Surge), IPP=24A @ 8/20us

Applications

- Computers and Peripherals
- Communication System
- Portable Electronics
- Cellular handsets and Accessories
- Notebook, Desktops and Servers
- RJ45

Package & Dimension

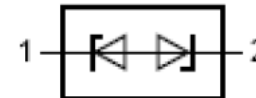


SOD323		
DIM.	MIN.	MAX.
A	0.80	1.10
B	0.25	0.40
C	0.10	0.25
D	1.60	1.80
E	1.15	1.35
F	2.30	2.70
G	0.15	0.45
H	---	0.05
I	0.15	0.25

All Dimensions in millimeter

PIN ASSIGNMENT	
1	Cathode
2	Cathode

Layout



Features

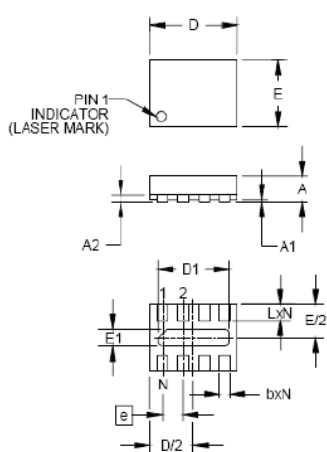
Bidirectional EMI/RFI Filter with Integrated TVS for ESD Protection

Filter Performance is 30dB minimum attenuation 1.8GHz to 2.5GHz

Eight Lines Protection and Filtering

IEC 61000-4-2, Level 4 (ESD), >±15KV by Air, >±8KV by Contact

Package & Dimension

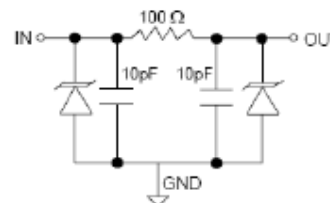


SLP2116P8		
DIM.	MIN.	MAX.
A	0.50	0.65
A1	0.00	0.05
A2	(0.15)	
b	0.20	0.30
D	2.00	2.20
D1	1.55	1.80
E	1.50	1.70
E1	0.25	0.50
e	0.50 BSC	
L	0.28	0.38
All Dimensions in millimeter		

Applications

- Color LCD Protection
- Cell Phone CCD Camera Lines
- Clamshell /cell /phones
- Audio Filter

Layout



Device Schematic (4X)



Pin Assignment (Top Side View)

Features

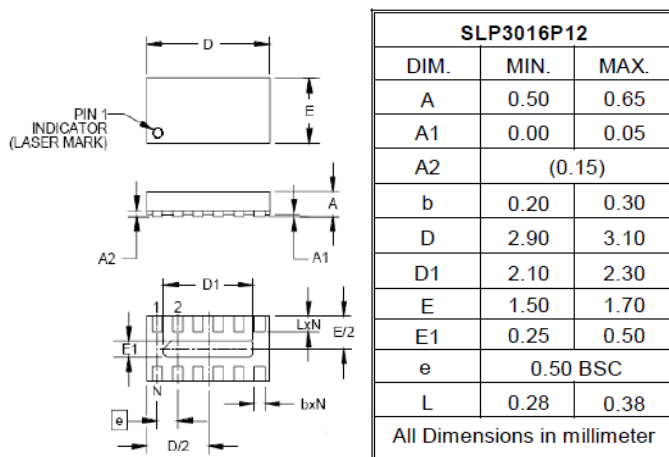
Bidirectional EMI/RFI Filter with Integrated TVS for ESD Protection

Filter Performance is 30dB minimum attenuation 1.8GHz to 2.5GHz

Eight Lines Protection and Filtering

IEC 61000-4-2, Level 4 (ESD), >±15KV by Air, >±8KV by Contact

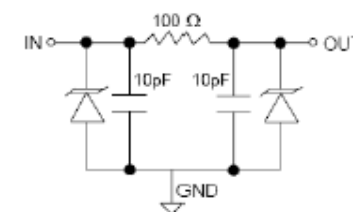
Package & Dimension



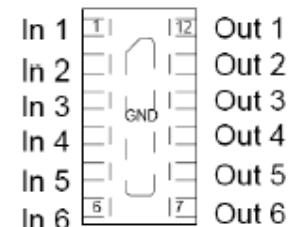
Applications

- Color LCD Protection
- Cell Phone CCD Camera Lines
- Clamshell /cell /phones
- Audio Filter

Layout



Device Schematic (6X)



Pin Assignment (Top Side View)

Features

Bidirectional EMI/RFI Filter with Integrated TVS for ESD Protection

Filter Performance is 30dB minimum attenuation 1.8GHz to 2.5GHz

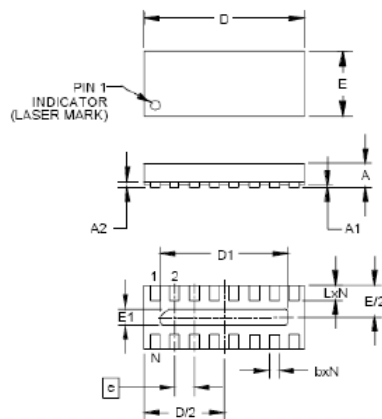
Eight Lines Protection and Filtering

IEC 61000-4-2, Level 4 (ESD), >±15KV by Air, >±8KV by Contact

Applications

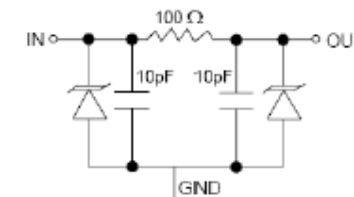
- Color LCD Protection
- Cell Phone CCD Camera Lines
- Clamshell /cell /phones
- Audio Filter

Package & Dimension

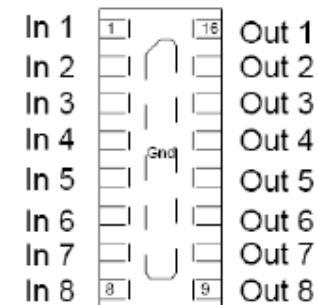


SLP4016P16		
DIM.	MIN.	MAX.
A	0.50	0.65
A1	0.00	0.05
A2	(0.13)	
b	0.20	0.30
D	3.90	4.10
D1	3.10	3.30
E	1.50	1.70
E1	0.25	0.50
e	0.50 BSC	
L	0.28	0.38
All Dimensions in millimeter		

Layout



Device Schematic (8X)



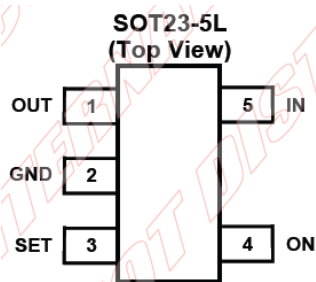
Pin Assignment (Top Side View)

Current Limited Load Switch

Features

- 2.7V to 5.5V Input voltage range
- Programmable over current threshold
- Fast transient response: <1us response to short circuit
- Low quiescent current
- 15uA typical
- 1uA max with Switch off
- Only 2.5V needed for ON/OFF Control
- Under Voltage Lockout
- Thermal shutdown
- Package : SOT23-5L

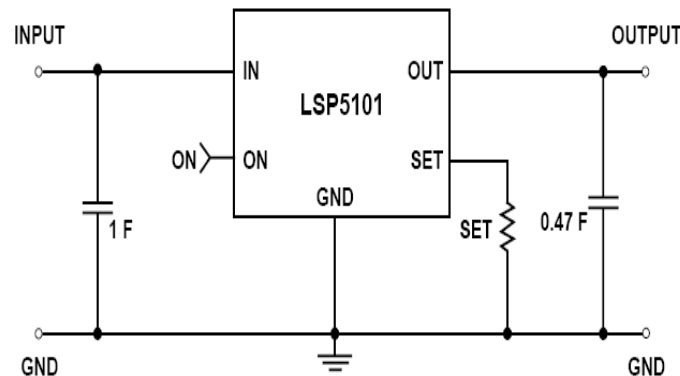
Package & Dimension



Applications

- Peripheral ports
- Notebook computers
- Personal communication devices
- Hot Swap Supplier

Application Circuit



2A Synchronous Step Down DC/DC Converter

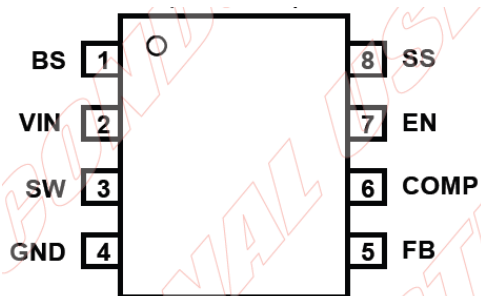
Features

- 2A Output Current
- Wide 4.5V to 27V Operating Input Range
- Integrated 120mΩ Power MOSFET Switches
- Output Adjustable from 0.925V to 24V
- Up to 96% Efficiency
- Programmable Soft-Start
- Stable with Low ESR Ceramic Output Capacitors
- Fixed 400KHz Frequency
- Cycle-by-Cycle Over Current Protection
- Input Under Voltage Lockout
- 8-Pin SOP Package

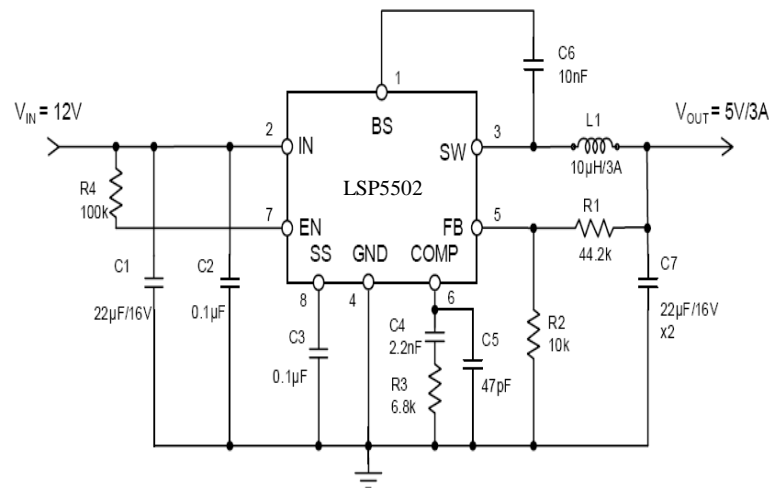
Applications

- Distributed Power Systems
- Networking Systems
- FPGA,DSP,ASIC Power Supplies
- Green Electronics / Appliances
- Notebook Computers

Package & Dimension



Application Circuit



3A 27V SYNC Buck Converter

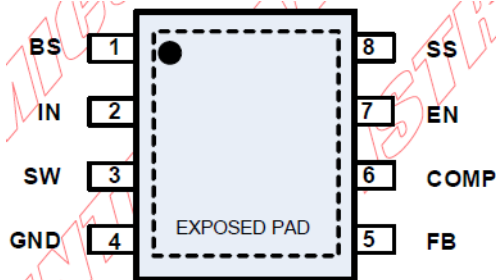
Features

- 3A Output Current
- Wide 4.5V to 27V Operating Input Range
- Integrated 100mΩ Power MOSFET Switches
- Output Adjustable from 0.925V to 24V
- Up to 96% Efficiency
- Cycle-by-Cycle Over Current Protection
- Input Under Voltage Lockout
- SOP8L-EP Package

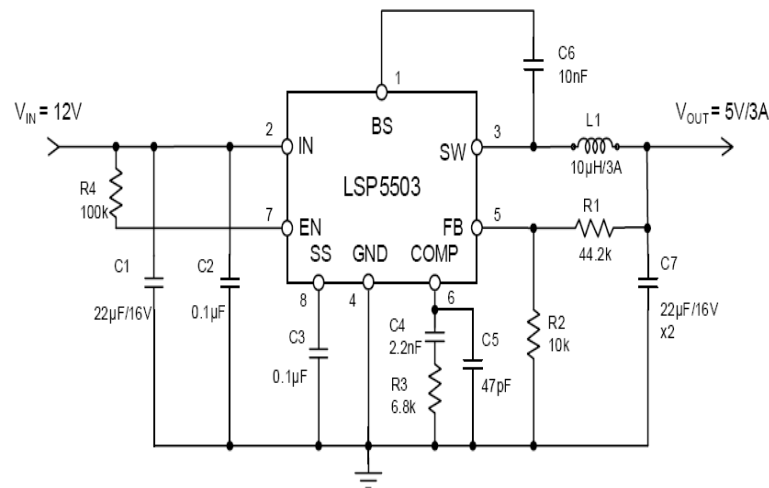
Applications

- Distributed Power Systems
- Networking Systems
- FPGA,DSP,ASIC Power Supplies
- Green Electronics / Appliances
- Notebook Computers

Package & Dimension



Application Circuit

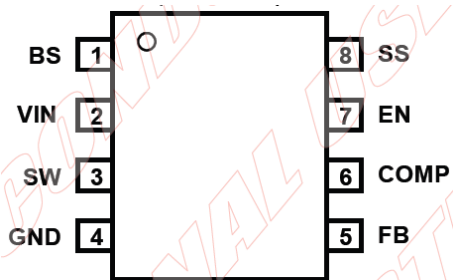


2A 18V SYNC Buck Converter

Features

- 2A Output Current
- Wide 4.5V to 18V Operating Input Range
- Integrated Power MOSFET Switches
- Output Adjustable from 0.925V to 12V
- Up to 96% Efficiency
- Programmable Soft-Start
- Stable with Low ESR Ceramic Output Capacitors
- Fixed 360KHZ Frequency
- Cycle-by-Cycle Over Current Protection
- Input Under Voltage Lockout
- Package : SOP-8L

Package & Dimension



Applications

- Distributed Power Systems
- Networking Systems
- FPGA,DSP,ASIC Power Supplies
- Green Electronics / Appliances
- Notebook Computers

Application Circuit

