



**INDUSTRIAL RELAYS**

UL & CUL File #E223388

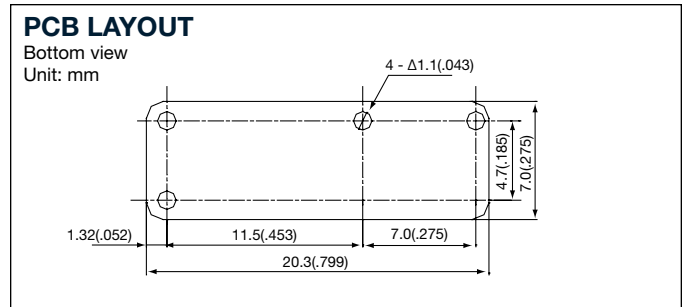
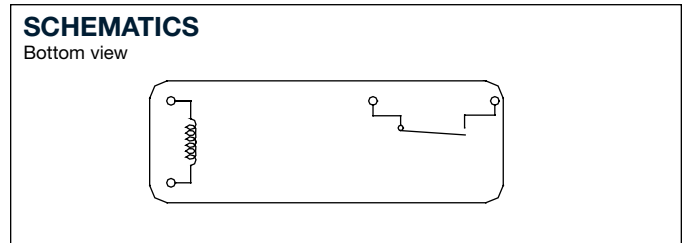
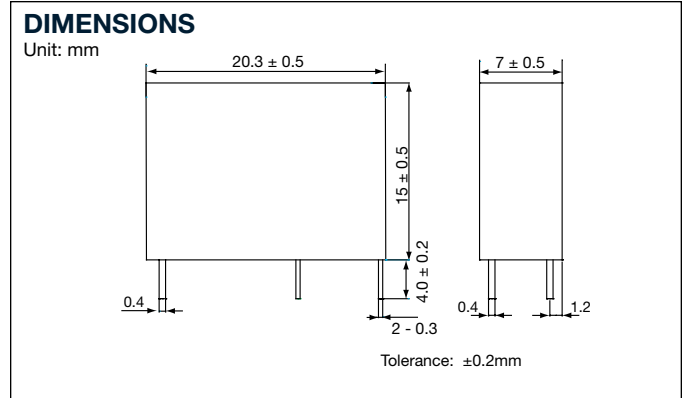
**FEATURES**

1. Slim size (20.3x7x15mm) at 5A switching capacity relay for high density P.C. board mounting.
2. High switching capacity.
3. High breakdown voltage: 4000V.

**ORDERING INFORMATION**

**RF 1A - 12 S F**  
**(1) (2) (3) (4) (5)**

- (1) **Basic Designation**  
RF = RF Series
- (2) **Contact Arrangement**  
1A = 1 Form A (SPST-NO)
- (3) **Coil Voltage**  
5~24V
- (4) **Enclosure**  
S = Sealed Type
- (5) **Insulation System**  
Nil = Standard  
F = Class F



**COIL RATINGS (AT 20°C)**

Coil Type	Coil Nominal Voltage (V)	Coil Resistance (Ω ± 10%)	Pick-up Voltage (V) max.	Drop-Out Voltage (V) min.	Nominal Operating Power (W)
DC	5	125	3.75	0.25	0.2
	6	180	4.50	0.30	
	9	405	6.75	0.45	
	12	720	9.00	0.60	
	18	1620	13.5	0.90	
	24	2800	18.0	1.20	

\* Max continuous Voltage at 20°C: 110% of Coil Nominal Voltage.



**CONTACT RATINGS**

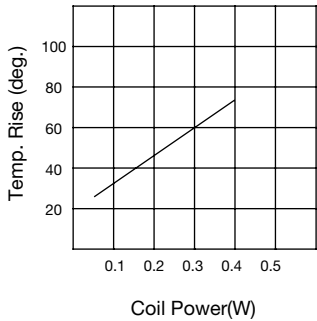
Contact Arrangement	<b>1A (SPST-NO)</b>
Contact Resistance (By voltage drop 6V 1A)	50mΩ max
Resistive Load (cos Ø = 1)	5A / 125VAC 3A / 277VAC
Contact Material	silver alloy

**CHARACTERISTICS**

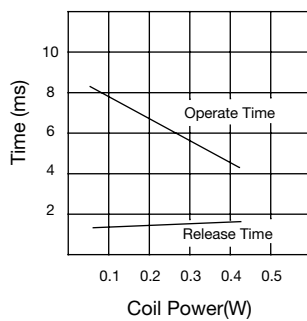
Expected Life (min. operate)	
Mechanical (at 180cpm)	1 x 10 <sup>7</sup>
Electrical (at 20cpm)	1 x 10 <sup>5</sup>
Initial Insulation Resistance	Min. 1000MΩ 500VDC
Operate Time	20ms max.
Release Time	4ms max.
Initial Breakdown Voltage	50/60Hz 4000VAC 1 min. (between coil & contacts) 50/60Hz 750VAC 1 min. (between open contacts)
Vibration Resistance	Functional: 10 to 55Hz at double Amplitude of 1.5mm Destruction: 10 to 55Hz at double Amplitude of 1.5mm
Shock Resistance	Functional: Min. 10G Destruction: Min. 100G
Ambient Temperature	-40°C ~ +85°C
Ambient Temperature (F Class)	-40°C ~ +105°C
Operating Humidity	45 to 85% RH
Unit Weight	Approx. 5g

**REFERENCE DATA**

**Coil Temperature Rise**



**Operate Time/ Release Time**



**Life Expectancy**

