



**INDUSTRIAL RELAYS**

UL & CUL File #E223388

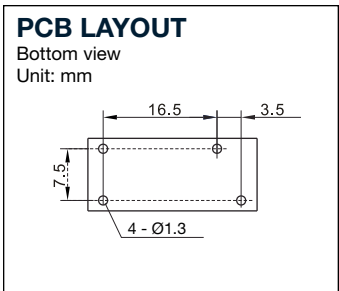
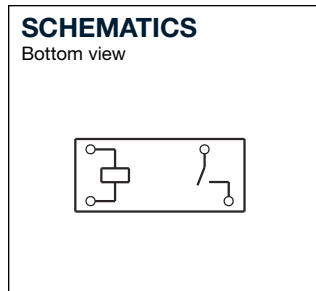
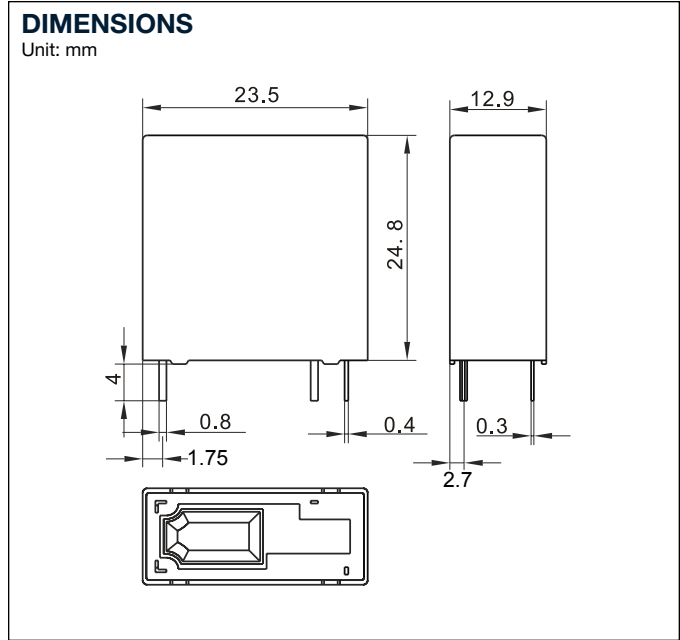
**FEATURES**

1. Contact capacity of 5A and 10A available.
2. Double insulation construction for high reliability.
3. Insulation distance of 6.0 mm.
4. Complete sealed type available if required.

**ORDERING INFORMATION**

**RX 1A- 12 S L**  
**(1) (2) (3) (4) (5)**

- |  |  |
|--|--|
| <b>1) Basic Designation</b><br>RX = RX Series          | <b>(4) Enclosure</b><br>Nil = Unsealed type<br>S = Sealed type |
| <b>(2) Coil Arrangement</b><br>1A = 1 Form A (SPST-NO) | <b>(5) Coil Power</b><br>L = 0.25W<br>Nil = 0.54W              |
| <b>(3) Coil Voltage</b>                                |  |



**COIL RATINGS (AT 20°C)**

Coil Nominal Voltage (VDC)	Nominal Current (mA)	Coil Resistance $\Omega(\pm 10\%)$	Drop-Out Voltage (VDC) min.	Pick-Up Voltage (VDC) max.	Nominal Operating Power (W)	Max. Allowable Voltage (VDC)
3	176.47	17	10%	75%	Abt. 0.54	130% of nominal voltage
5	106.38	47				
6	88.24	68				
9	44.44	155				
12	58.06	270				
18	30.00	600				
24	21.82	1,100				
48	10.91	4,400				



**CONTACT RATINGS**

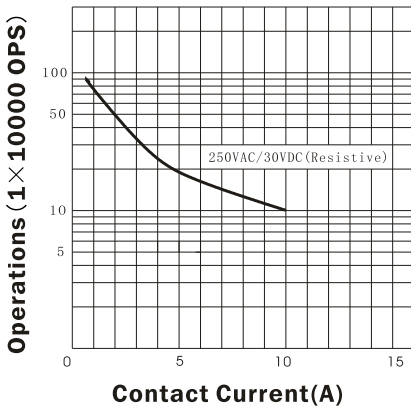
Contact Arrangement	1A
Max. Switching Power	2500VA 300W
Max. Switching Voltage	250VAC 30VDC
Max. Switching Current	10A
Contact Resistance (By voltage drop 6V 1A)	50mΩ max.
UL/ C-UL Rating Resistive Load (cos Ø = 1)	10A / 250VAC 10A / 30VDC
Inductive Load (cos Ø = 0.75 ~ 0.8)	3A / 250VAC
Contact Material	silver alloy

**CHARACTERISTICS**

Electrical Life (at 30cpm)	1 x 10 <sup>5</sup>
Mechanical Life (at 120cpm)	1 x 10 <sup>7</sup>
Initial Insulation Resistance	100MΩ Min. (500VDC)
Operate Time	15ms max.
Release Time	5ms max.
Initial Breakdown Voltage	50/60Hz 900VAC 1 min. (between open contacts) 50/60Hz 4000VAC 1 min. (between coil & contact)
Vibration Resistance	Functional: 10 to 55Hz at double Amplitude of 1.5mm Destructive: 10 to 55Hz at double Amplitude of 1.5mm
Shock Resistance	Functional: Min. 10G Destructive: Min. 100G
Ambient Temperature	-30°C ~ +85°C
Operating Humidity	45 to 85% RH
Unit Weight	Approx. 11 g

**REFERENCE DATA**

**LIFE CURVE**



**COIL TEMPERATURE RISE**

