



RY SERIES

INDUSTRIAL RELAYS

UL & CUL File #E223388

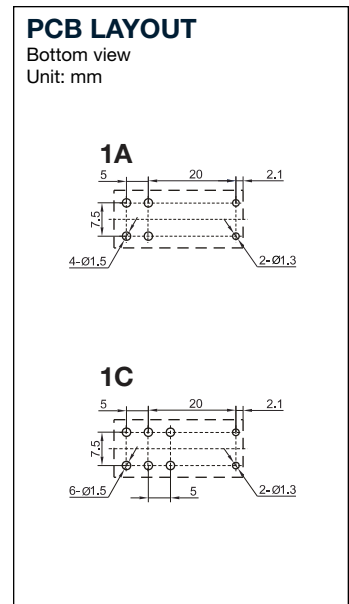
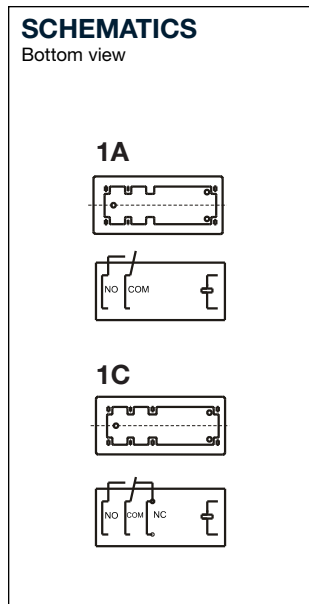
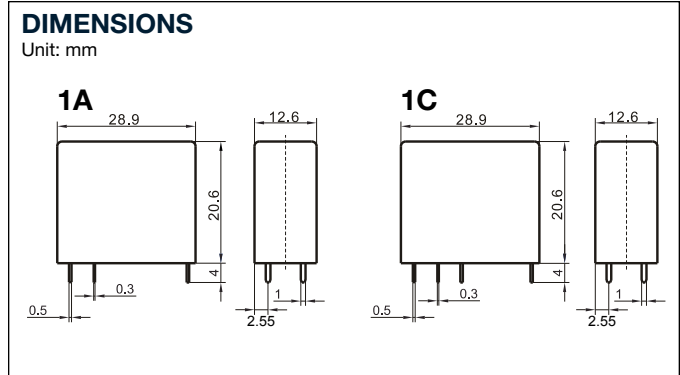
FEATURES

1. Small size with 16A switching capacity.
2. 8mm creeping distance. Surge resistance of 10000V and dielectric strength of 5000VAC is available.

ORDERING INFORMATION

RY 1C - 12 H S
(1) (2) (3) (4) (5)

- | | |
|--|--|
| <p>(1) Basic Designation
RY = RY Series</p> <p>(2) Contact Arrangement
1A = 1 Form A (SPST-NO)
1C = 1 Form C (SPDT)</p> <p>(3) Coil Voltage
3~48V</p> | <p>(4) Coil Sensitivity
Nil = 720mW
H = 540mW</p> <p>(5) Enclosure
Nil = Unsealed type
S = Sealed type</p> |
|--|--|



COIL RATINGS (AT 20°C)

Type	Coil Nominal Voltage (VDC)	Nominal Current (mA)	Coil Resistance Ω ($\pm 10\%$)	Drop-Out Voltage (VDC) min.	Pick-Up Voltage (VDC) max.	Nominal Operating Power (W)	Max. Allowable Voltage (VDC)
Standard	3	240.00	12.5	5%	80%	0.72	130% of nominal voltage
	5	138.89	36				
	6	120.00	50				
	9	78.26	115				
	12	60.00	200				
	18	40.00	450				
	24	29.27	820				
High Sensitive	48	14.55	3,300	5%	80%	0.54	130% of nominal voltage
	3	176.47	17				
	5	100.00	50				
	6	88.24	68				
	9	58.06	155				
	12	44.44	270				
	18	30.00	600				
24	21.82	1,100					
	48	10.91	4,400				



CONTACT RATINGS

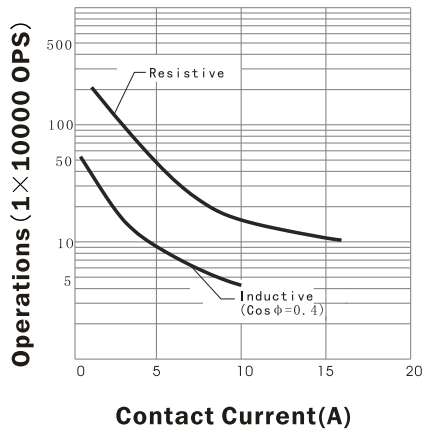
Contact Arrangement	1A, 1C
Max. Switching Power	4000VA 600W
Max. Switching Voltage	250VAC 30VDC
Max. Switching Current	16A
Contact Resistance (By voltage drop 6V 1A)	50mΩ max.
UL/ C-UL Rating	20A / 120VAC
Resistive Load (cos Ø = 1)	5A / 24VDC 16A / 240VAC
Inductive Load (cos Ø = 0.75 ~ 0.8)	5A / 120VAC
Contact Material	silver alloy

CHARACTERISTICS

Type	Standard	High Standard
Electrical Life (at 20cpm)	1 x 10 ⁵	
Mechanical Life (at 120cpm)	1 x 10 ⁷	
Initial Insulation Resistance	1000MΩ Min. (500VDC)	
Operate Time	15ms max.	20ms max.
Release Time	8ms max.	
Initial Breakdown Voltage	50/60Hz 1000VAC 1 min. (between open contacts) 50/60Hz 5000VAC 1 min. (between coil & contact)	
Vibration Resistance	Functional: 10 to 55Hz at double Amplitude of 1.5mm Destructive: 10 to 55Hz at double Amplitude of 1.5mm	
Shock Resistance	Functional: Min. 10G Destructive: Min. 100G	
Insulation Withstand Voltage	5000V 1.2 x 50μs (between coil and contacts)	
Ambient Temperature	-40°C ~ +85°C	
Temperature Rise (Max.)	45°C	35°C
Operating Humidity	45 to 85% RH	
Unit Weight	Approx. 13 g	

REFERENCE DATA

LIFE CURVE



COIL TEMPERATURE RISE

