

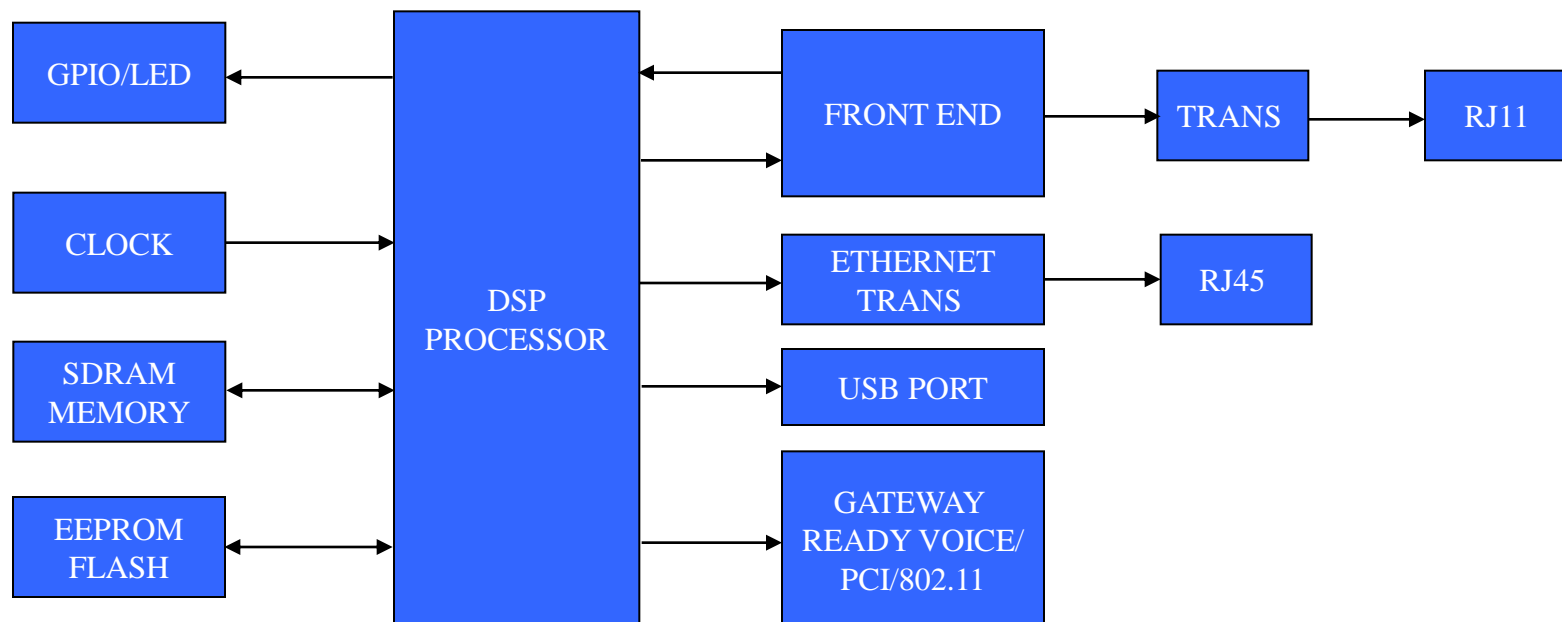
Lite-On Semiconductor xDSL Modem Platform Solutions



WORLD PRODUCTS, LLC
ELECTRONIC COMPONENT SOLUTIONS
sales@worldproducts.com || www.worldproducts.com

Exclusive agent in the America's for all Lite-On Semiconductor products.

xDSL Modem Block Diagram



SCHOTTKY

B140
B340A
1N5819WL
FB130LM

Bridge

HD06

SWITCH

BAV99W
1N4148W
LS4148W/WS

ZENER

MMSZ5242B

TVS

SMBJ5.0A
SMBJ8.0A
SMBJ13A

TSPD

TB2300L/M/H
TB2600L/M/H
TB3100L/M/H
TB3500L/M/H

ESD

L13ESD5V0CB2
L35ESD5V0CB2
L35ESD12VCB2
L35ESDL5V0CB2

CMOS LDO

LSP2103
LSP2155
LSP2159

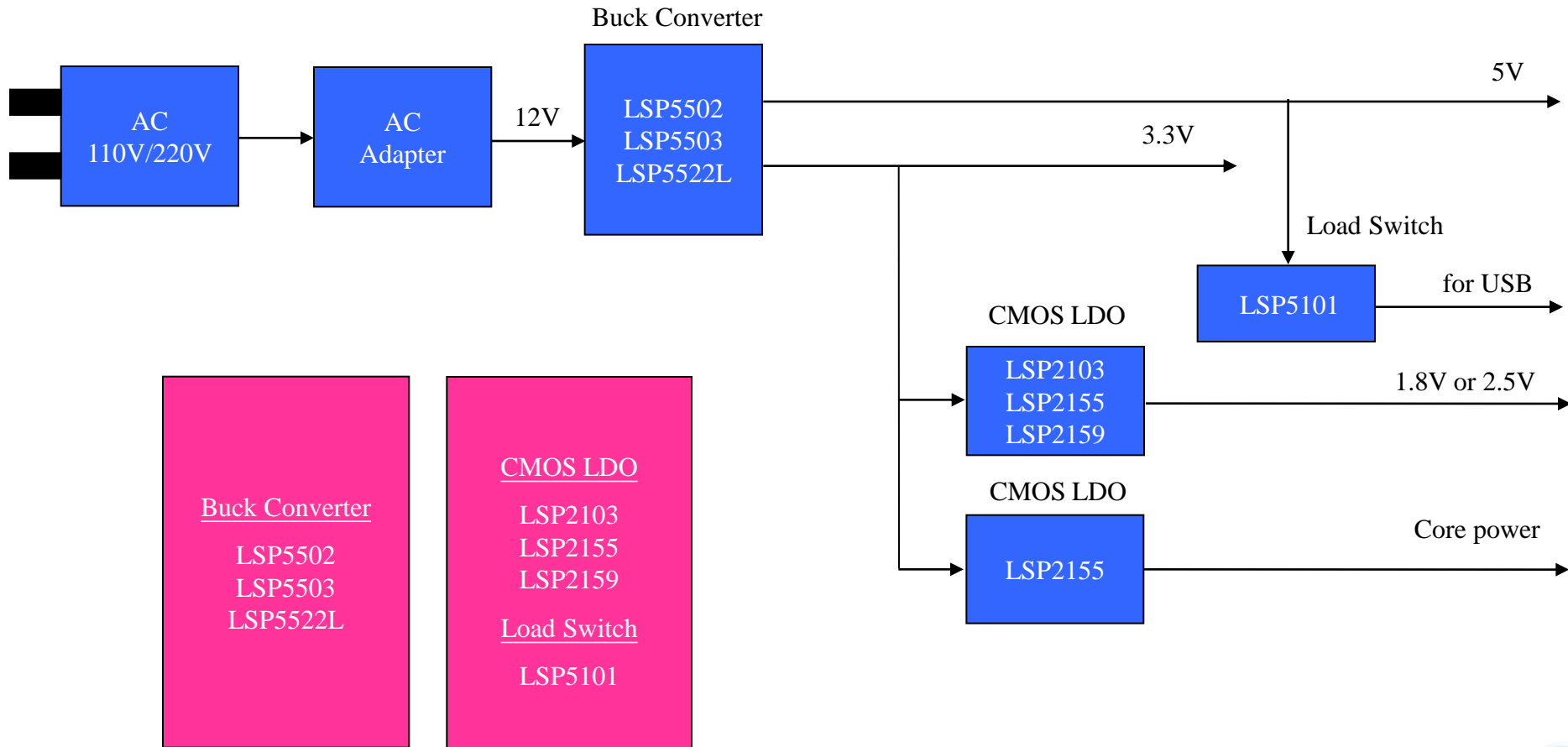
Load Switch

LSP5101

Buck Converter

LSP5502
LSP5503
LSP5522L

xDSL Modem DC to DC Block Diagram



LSC Product Selection Guide

Rectifier product

Part No.	Family	VR	I_{FAV}	I_{FSM}	IR @ VR mA	$V_F @ I_F$		Package
		Min. (V)	Max. (A)	Max. (A)		Max. (V)	A	
B140	Schottky	40	1	30	0.5	0.5	1	SMA
B340A	Schottky	40	3	100	0.5	0.5	2	SMA
1N5819WL	Schottky	40	1	25	1	0.45	1	SOD-123
FB130LM	Schottky	30	1	50	0.4	0.38	1	Mite Flat
BAV99W	Switch	75	0.3	2	2.5uA@75V	1.25	0.15	SOT-23
1N4148W	Switch	75	0.3	2	1uA@75V	1.25	0.15	SOD-123
LS4148W/ WS	Switch	75	0.3	2	5uA@75V	1.25	0.15	1206/ 0805
HD06	Bridge	600	0.8	30	0.0005	1	0.4	HD06
MMSZ5242B	Zener	Vz=12V@20mA		-	1uA@9.1V	-	-	SOD-123



LSC Product Selection Guide

Transient Voltage Suppressor (TVS)

Device Uni-directional	Device Bi-directional	Working Peak Reverse Voltage	Breakdown voltage VBR Volts			Maximum Reverse Leakage at VRWM	Maximum Reverse Surge Current	Maximum Reverse Voltage at IRSM (Clamping Voltage)
			VRWM(Volts)	Min.	Max.			
SMAJ5.0A	SMAJ5.0CA	5.0	6.40	7.07	10	800	43.5	9.2
SMAJ8.0A	SMAJ8.0CA	8.0	8.89	9.83	1	50	29.4	13.6
SMAJ13A	SMAJ13CA	13.0	14.4	15.9	1	5	18.6	21.5



LSC Product Selection Guide

Transient Voltage Suppressor (TSPD)

Part Number	Rated Repetitive Off-State Voltage	Off-State Leakage Current @V _{DRM}	Breakover Voltage	On-State Voltage @ I _T =1A	Non-repetitive Peak impulse current @10/1000us	Non-repetitive peak On-state current @8.3ms (one-half cycle)	Breakover Current		Holding Current		Package
	V _{DRM}	I _{DRM}	V _{BO}	V _T	I _{PP}	I _{TSM}	I _{BO}		I _H		
	Min (V)	Max (uA)	Max (V)	Max. (V)	(A)	(A)	Min (mA)	Max (mA)	Min (mA)	Max (mA)	
TB2300L	190	5	265	3.5	50	25	50	800	150	800	SMB
TB2600L	220	5	300	3.5	50	25	50	800	150	800	SMB
TB3100L	275	5	350	3.5	50	25	50	800	150	800	SMB
TB3500L	320	5	400	3.5	50	25	50	800	150	800	SMB
TB2300M	190	5	265	3.5	80	40	50	800	150	800	SMB
TB2600M	220	5	300	3.5	80	40	50	800	150	800	SMB
TB3100M	275	5	350	3.5	80	40	50	800	150	800	SMB
TB3500M	320	5	400	3.5	80	40	50	800	150	800	SMB
TB2300H	190	5	265	3.5	100	50	50	800	150	800	SMB
TB2600H	220	5	300	3.5	100	50	50	800	150	800	SMB
TB3100H	275	5	350	3.5	100	50	50	800	150	800	SMB
TB3500H	320	5	400	3.5	100	50	50	800	150	800	SMB



LSC Product Selection Guide

Surface Mount ESD Protection Device

Part Number	Peak Power Dissipation 8x20μs	Reverse standoff voltage	Max Reverse Leakage @ VR	Max Clamping Voltage @8x20μs	Peak Pulse Current 8x20μs	Off-State Capacitance 1MHz Zero DC Bias	Package
		VR	IR	Vc	Ipp	Co	
	W	V	uA	V	A	pF	
L13ESD5V0CB2	130	5	0.1	14	12	45	SOD-323
L35ESD5V0CB2	350	5	10	14.5	24	200	SOD-323
L35ESD12VCB2	350	12	1	24	15	100	SOD-323
L35ESDL5V0CB2	350	5	5	21	17	3.5	SOD-323



LSC Product Selection Guide

DPM CMOS LDO

Part No.	Features	Input Voltage	Output Voltage	Output Current	PSRR	Accuracy	IQ	Dropout Voltage	Package
LSP2103	a,b,c	5.5V	1.5V/1.8V/2.5V/2.8V/3.3V	1A	60dB	±2%	35uA	300mV at 300mA	SOT223-3L, TO252-3L
LSP2155	a,b,c	4V	1.2V/1.8V/2.5V/3.3V/A DJ	1A	65dB	±2%	250uA	250mV at 1A	SOT223-3L, TO252-3L, SOP-8L
LSP2159	a,b,c	5.5V	1.5V/1.8V/2.5V/2.8V/2.85V/3.0V/3.3V/5.0V	1.5A	65dB	±2%	90uA	600mV at 1.5A	SOT223-3L, TO252-3L, TO263-3L

DPM Load Switch

Part No.	Type	Input Voltage	IQ	Current Limit	Turn On/Off Time	RDS,ON	Package
LSP5101	ADJ	2.7V ~ 5.5V	15uA	1.25A	200uS/2uS	160mΩ	SOT23 -5L

a: Pre-Charge current; b: Soft start; c: Under voltage lock out; d: Thermal protection

DPM Step-Down DC/DC Converter

Part No.	Features	Input Voltage	Output Voltage	Output Current	Frequency	Output Channel	Standby Current	Feedback Voltage	Package
LSP5502	a,c,d,e,f,g,h,j,k	27	ADJ	2A	380KHz	1	10uA	0.925V	SOP-8L
LSP5503	a,c,d,e,f,g,h,j,k	27	ADJ	3A	380KHz	1	10uA	0.925V	ESOP-8L
LSP5522L	a,c,d,e,f,g,h,j,k	18V	ADJ	2A	380KHz	1	10uA	0.925V	SOP-8L

a: Synchronous stepdown; b: Asynchronous stepdown; c: Enable/shutdown control; d: Internal Switch; e: Current Limit; f: Thermal Shutdown

1A Schottky Rectifier

Features

For surface mounted applications
 Very Low forward voltage drop
 High current capability
 Plastic material has UL flammability classification 94V-0
 For use in low voltage, high frequency inverters,
 free wheeling, and polarity protection applications

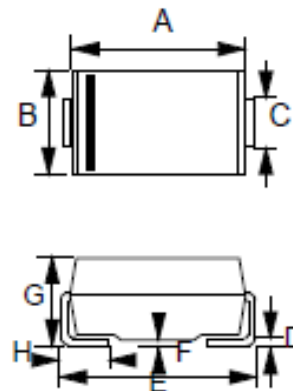
Applications

- PC Motherboard
- NB
- LCD Monitor/TV
- Telecom Equipment
- ADSL Modem
- Printer and other Peripheral Equipment

Mechanical Data

Case : Molded plastic
 Polarity : Indicated by cathode band
 Weight : 0.002 ounces, 0.064 grams

Application Circuit



SMA		
DIM.	MIN.	MAX.
A	4.06	4.57
B	2.29	2.92
C	1.27	1.63
D	0.15	0.31
E	4.83	5.59
F	0.05	0.20
G	2.01	2.40
H	0.76	1.52

All Dimensions in millimeter

Features

For surface mounted applications
 Very Low forward voltage drop
 High current capability
 Plastic material has UL flammability classification 94V-0
 For use in low voltage, high frequency inverters,
 free wheeling, and polarity protection applications

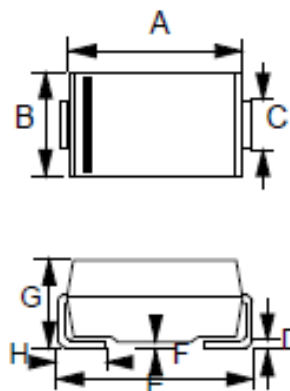
Applications

- PC Motherboard
- NB
- LCD Monitor/TV
- Telecom Equipment
- ADSL Modem
- Printer and other Peripheral Equipment

Mechanical Data

Case : Molded plastic
 Polarity : Indicated by cathode band
 Weight : 0.002 ounces, 0.064 grams

Application Circuit



SMA		
DIM.	MIN.	MAX.
A	4.06	4.57
B	2.29	2.92
C	1.27	1.63
D	0.15	0.31
E	4.83	5.59
F	0.05	0.20
G	2.01	2.40
H	0.76	1.52
All Dimensions in millimeter		

1N5819WL

1A Schottky Rectifier

Features

- Low Forward Voltage Drop
- High Surge Capability and High Current Capability
- For Surface Mounted Applications
- High Conductance
- Guard Ring Construction for Transient Protection

Applications

- PC Motherboard
- NB
- LCD Monitor/TV
- Telecom Equipment
- ADSL Modem
- Printer and other Peripheral Equipment

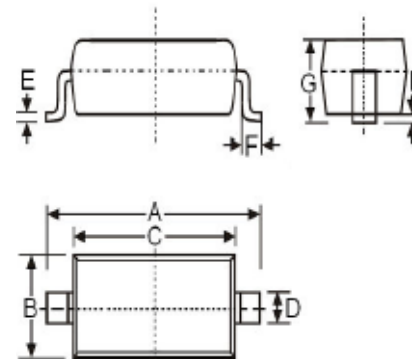
Mechanical Data

Case: SOD-123 Plastic

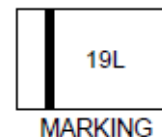
- Case Material: “Green” molding compound, UL flammability classification 94V-0, (No Br. Sb. Cl)
- Moisture Sensitivity: Level 1 per J-STD-020D
- Lead Pb-Free in RoHS 2002/95/EC Compliant
- Weight: approx. 0.01 grams (approximate)

Application Circuit

SOD-123



SOD-123		
Dim.	Min.	Max.
A	3.55	3.85
B	1.40	1.70
C	2.55	2.85
D	0.55 Typical	
E	0.11 Typical	
F	0.25	—
G	—	1.35
H	—	0.10
All Dimensions in millimeter		



1A Low VF Schottky Rectifier

Features

- **flammability classification 94V-0, (No Br. Sb. Cl.)**
- Very low profile package – 0.80mm
- Super fast switching for high efficiency
- For surface mounted applications
- Very Low forward voltage drop and high current capability
- Low reverse leakage current

Mechanical Data

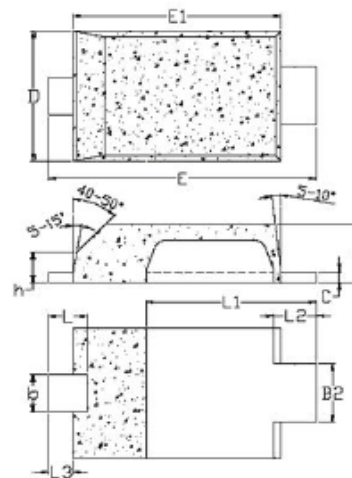
- Case: JEDEC DO-222AA
- Moisture Sensitivity: Level 1 per J-STD-020C
- Terminals: Lead Free Plating (Matte Tin Finish.)
- Component in accordance to RoHs 2002/95/EC

Applications

- NB
- DC FAN
- LCD Monitor /TV
- GPS
- ADSL Modem
- Communication Equipment

Application Circuit

Mite Flat



Mite Flat		
DIM.	MIN.	MAX.
A	0.80	0.95
b	0.40	0.65
b2	0.70	1.00
C	0.10	0.25
D	1.75	2.05
E	3.60	3.90
E1	2.80	3.10
h	0.35	0.50
L	0.50	0.80
L1	2.10	2.60
L2	0.45	0.75
L3	0.20	0.50
All dimension in millimeter		

Features

- Fast switching speed
- Ideally suited for automatic insertion
- For general purpose switching applications

Applications

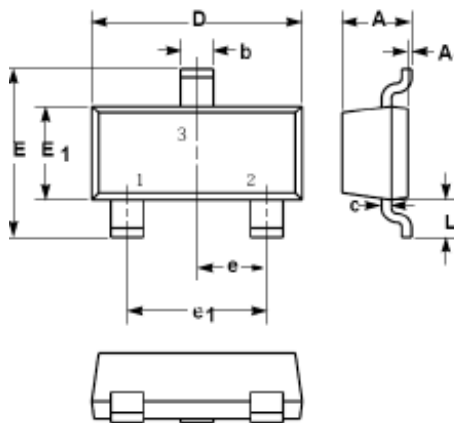
- PC Motherboard
- NB
- LCD Monitor/TV
- Telecom Equipment
- ADSL Modem
- Printer and other Peripheral Equipment

Mechanical Data

- Case: SOT-323 Plastic
- Case material: “Green” molding compound, UL flammability classification 94V-0, (No Br. Sb. Cl)
- Moisture sensitivity: Level 1 per J-STD-020D
- Lead free in RoHS 2002/95/EC compliant

Application Circuit

SOT-323



SOT-323		
Dim.	Min.	Max.
A	0.90	1.10
A1	0.00	0.10
b	0.20	0.40
c	0.08	0.15
D	2.00	2.20
E	2.15	2.45
E1	1.15	1.35
e	0.65 Typ.	
e1	1.20	1.40
L	0.525 Ref.	
Dimensions in millimeter		

1N4148W

Fast Switching Diode

Features

- Fast switching speed
- Ideally suited for automatic insertion
- For general purpose switching applications

Applications

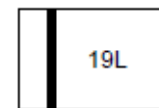
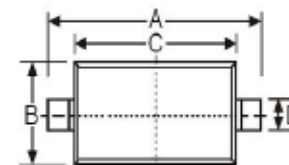
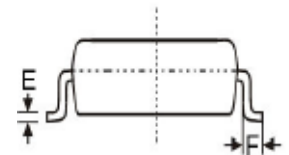
- PC Motherboard
- NB
- LCD Monitor/TV
- Telecom Equipment
- ADSL Modem
- Printer and other Peripheral Equipment

Mechanical Data

- Case: SOD-123 Plastic
- Case material: “Green” molding compound, UL flammability classification 94V-0, (No Br. Sb. Cl)
- Moisture sensitivity: Level 1 per J-STD-020D
- Lead free in RoHS 2002/95/EC compliant
- Weight: approx. 4.3m grams

Application Circuit

SOD-123



MARKING

SOD-123		
Dim.	Min.	Max.
A	3.55	3.85
B	1.40	1.70
C	2.55	2.85
D	0.55 Typical	
E	0.11 Typical	
F	0.25	—
G	—	1.35
H	—	0.10
All Dimensions in millimeter		

Fast Switching Diode

Features

- For surface mounted application
- Silicon epitaxial planar diode
- High speed switching
- Ultra small surface mount package
- Low leakage current

Applications

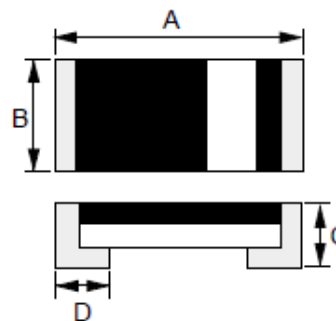
- Adaptor
- NB
- LCD Monitor/ TV
- Telecom Equipment
- ADSL Modem
- Communication and other Peripheral Equipment

Mechanical Data

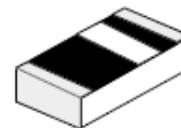
Case : 1206
 Case Material: "Green" molding compound, UL flammability classification 94V-0, (No Br. Sb. Cl)
 Terminals: Lead Free Plating
 Polarity : Color band denotes cathode
 Weight : Approx.10mg

Application Circuit

1206



1206		
Dim.	Min.	Max.
A	3.00	3.40
B	1.30	1.70
C	0.75	0.95
D	0.35	0.75
All Dimensions in millimeter		



Glass Passivation Bridge Rectifier

Features

Rating to 1000V PRV
 Ideal for printed circuit board
 Reliable low cost construction utilizing molded plastic technique results in inexpensive product
 The plastic material has UL recognition File #E95060

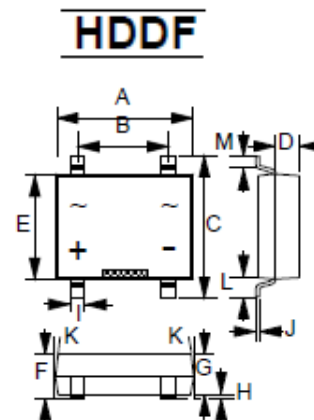
Mechanical Data

Polarity : Symbol molded on body
 Weight : 0.0044 ounces, 0.125 grams
 Mounting position : Any

Applications

- Adaptor
- NB
- LCD Monitor/ TV
- ADSL Modem
- Setup Box
- Communication and other Peripheral Equipment

Application Circuit



HD06		
DIM.	MIN.	MAX.
A	4.50	4.90
B	2.30	2.70
C	—	7.00
D	1.20	1.60
E	3.60	4.00
F	—	3.00
G	2.30	2.70
H	—	0.20
I	0.50	0.80
J	0.15	0.35
K	5° TYPICAL	
L	1.30	1.70
M	0.70	1.10
All Dimensions in millimeter		

MMSZ52xxB

Zener Diode SOD-123

Features

- Planar die construction
- 500mW power dissipation rating
- Ultra-small surface mount package

Applications

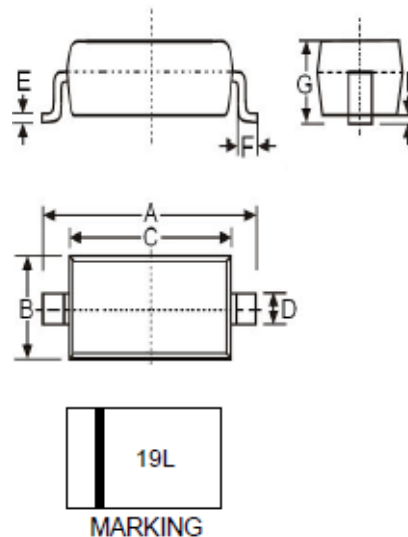
- NB/ MB
- LCD Monitor/ TV
- ADSL Modem
- Setup Box
- Communication and other Peripheral Equipment

Mechanical Data

- Case: SOD-123 Plastic
- Case Material: “Green” molding compound, UL flammability classification 94V-0, (No Br. Sb. Cl)
- Moisture Sensitivity: Level 1 per J-STD-020D
- Lead Free in RoHS 2002/95/EC Compliant

Application Circuit

SOD-123



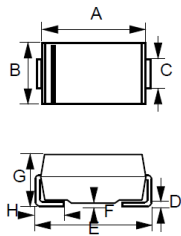
SOD-123		
Dim.	Min.	Max.
A	3.55	3.85
B	1.40	1.70
C	2.55	2.85
D	0.55 Typical	
E	0.11 Typical	
F	0.25	—
G	—	1.35
H	—	0.10
All Dimensions in millimeter		

SMAJ Series *400W Surface TVS*

Features

- For Surface Mounted Applications
- Reliable Low Cost Construction Utilizing Molded Plastic Technique
- Plastic Material Has UL Flammability Classification 94V-0
- Typical IR Less than 1uA Above 10A
- Fast Response Time : Typically Less than 1ns for Uni-direction, Less than 5ns for Bi-direction from 0 voltage to BV min.

Package & Dimension



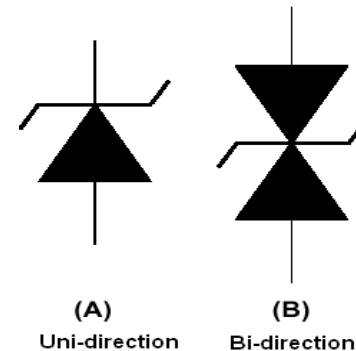
SMA		
DIM.	MIN.	MAX.
A	4.06	4.57
B	2.29	2.92
C	1.27	1.63
D	0.15	0.31
E	4.83	5.59
F	0.05	0.20
G	1.96	2.40
H	0.76	1.52

All Dimensions in millimeter

Characteristics

- Stand Off Voltage is 4.0V to 200V
- Power Dissipation is 400W
- Peak Forward Surge Current 40A
- Steady State Power Dissipation 1.0W
- Maximum Instantaneous Forward Voltage 3.5V

Layout



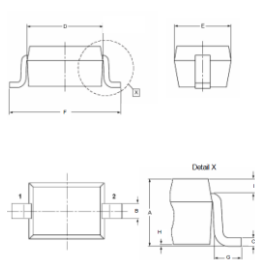
Features

- Bidirectional ESD Protection of Single Line
- Max. Peak Pulse Power is 130Watts @ 8/20us
- Low Clamping Voltage is 14V
- IEC 61000-4-2, Level 4 (ESD), >±15KV by Air, >±8KV by Contact
- IEC 61000-4-5, Level 2 (Surge), IPP=12A @ 8/20us

Applications

- Computers and Peripherals
- Communication System
- Portable Electronics
- Cellular handsets and Accessories
- Audio and Video Equipment

Package & Dimension

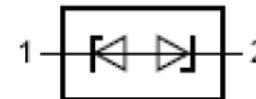


SOD323		
DIM.	MIN.	MAX.
A	0.80	1.10
B	0.25	0.40
C	0.10	0.25
D	1.60	1.80
E	1.15	1.35
F	2.30	2.70
G	0.15	0.45
H	---	0.05
I	0.15	0.25

All Dimensions in millimeter

PIN ASSIGNMENT	
1	Cathode
2	Cathode

Layout



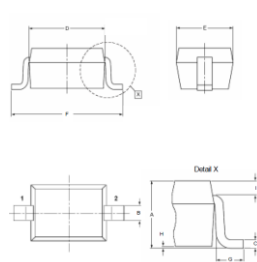
Features

- Bidirectional ESD Protection of Single Line
- Max. Peak Pulse Power is 350Watts @ 8/20us
- Low Clamping Voltage
- IEC 61000-4-2, Level 4 (ESD), >±15KV by Air, >±8KV by Contact
- IEC 61000-4-5, Level 2 (Surge), IPP=24A @ 8/20us

Applications

- Computers and Peripherals
- Communication System
- Portable Electronics
- Cellular handsets and Accessories
- Notebook, Desktops and Servers
- RJ45

Package & Dimension

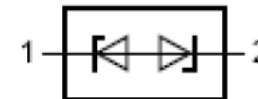


SOD323		
DIM.	MIN.	MAX.
A	0.80	1.10
B	0.25	0.40
C	0.10	0.25
D	1.60	1.80
E	1.15	1.35
F	2.30	2.70
G	0.15	0.45
H	---	0.05
I	0.15	0.25

All Dimensions in millimeter

PIN ASSIGNMENT	
1	Cathode
2	Cathode

Layout



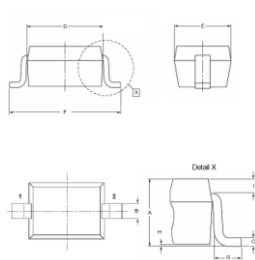
Features

- Bidirectional ESD Protection of Single Line
- Max. Peak Pulse Power is 350Watts @ 8/20us
- Low Clamping Voltage
- IEC 61000-4-2, Level 4 (ESD), >±15KV by Air, >±8KV by Contact

Applications

- Computers and Peripherals
- Communication System
- Portable Electronics
- Cellular handsets and Accessories
- Notebooks, Desktops & Servers

Package & Dimension

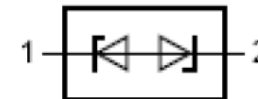


SOD323		
DIM.	MIN.	MAX.
A	0.80	1.10
B	0.25	0.40
C	0.10	0.25
D	1.60	1.80
E	1.15	1.35
F	2.30	2.70
G	0.15	0.45
H	---	0.05
I	0.15	0.25

All Dimensions in millimeter

PIN ASSIGNMENT	
1	Cathode
2	Cathode

Layout



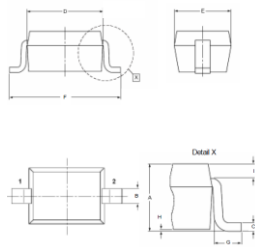
Features

- Bidirectional ESD Protection of Single Line
- Max. Peak Pulse Power is 350Watts @ 8/20us
- Low Capacitance is 1.6pF (Typical)
- Low Clamping Voltage
- IEC 61000-4-2, Level 4 (ESD), >±15KV by Air, >±8KV by Contact

Applications

- Ethernet 10/100/1000 Base T
- Cellular Phones
- Personal Digital Assistance
- USB Interface
- Handheld device

Package & Dimension

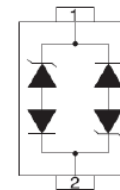


PIN ASSIGNMENT	
1	Cathode
2	Cathode

SOD323		
DIM.	MIN.	MAX.
A	0.80	1.10
B	0.25	0.40
C	0.10	0.25
D	1.60	1.80
E	1.15	1.35
F	2.30	2.70
G	0.15	0.45
H	---	0.05
I	0.15	0.25

All Dimensions in millimeter

Layout



58~360V 50A Thyristor Surge Protective Device

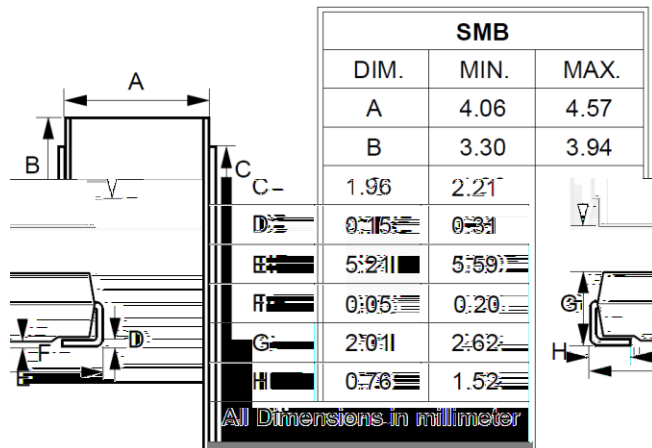
Features

- Oxide Glass Passivated Junction
- Bidirectional Protection in a Single Device
- Surge Capabilities up to 50A @ 10/1000us or 150A @ 8/20us
- High Off State Impedance and Low on State Voltage
- Plastic Material has UL Flammability Classification 94V-0

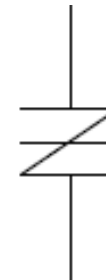
Characteristics

- Non-repetitive Peak Impulse Current @ 10/1000us is 50A
- Non-repetitive Peak On-state Current @ 8.2ms is 25A
- Junction Temperature Range is -40 to +150°C
- Storage Temperature Range is -55 to +150°C

Package & Dimension



Layout



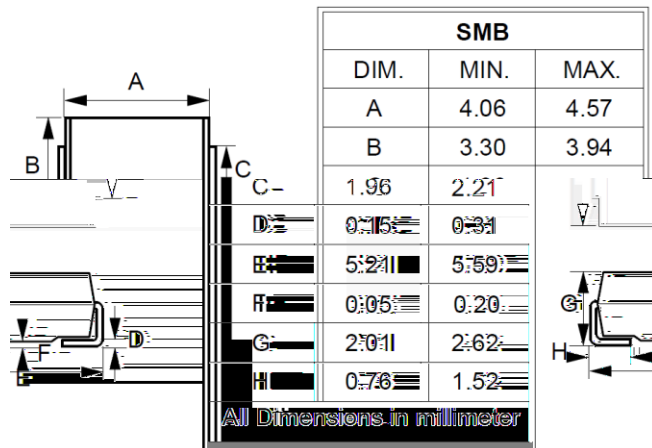
Features

- Oxide Glass Passivated Junction
- Bidirectional Protection in a Single Device
- Surge Capabilities up to 80A @ 10/1000us or 250A @ 8/20us
- High Off State Impedance and Low on State Voltage
- Plastic Material has UL Flammability Classification 94V-0

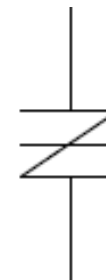
Characteristics

- Non-repetitive Peak Impulse Current @ 10/1000us is 80A
- Non-repetitive Peak On-state Current @ 8.2ms is 40A
- Junction Temperature Range is -40 to +150°C
- Storage Temperature Range is -55 to +150°C

Package & Dimension



Layout



58~360V 100A Thyristor Surge Protective Device

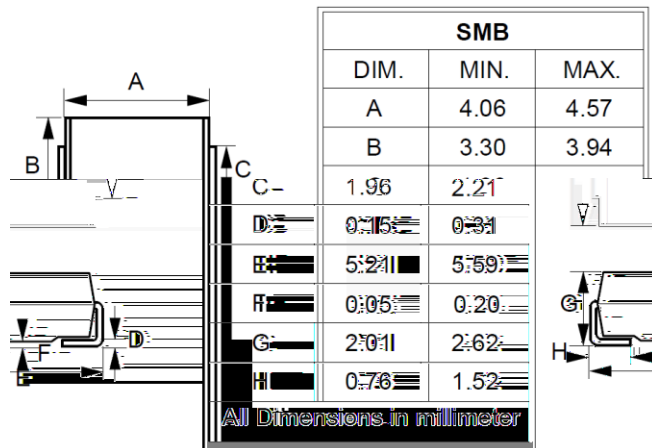
Features

- Oxide Glass Passivated Junction
- Bidirectional Protection in a Single Device
- Surge Capabilities up to 100A @ 10/1000us or 400A @ 8/20us
- High Off State Impedance and Low on State Voltage
- Plastic Material has UL Flammability Classification 94V-0

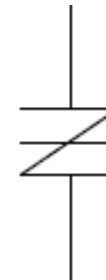
Characteristics

- Non-repetitive Peak Impulse Current @ 10/1000us is 100A
- Non-repetitive Peak On-state Current @ 8.2ms is 50A
- Junction Temperature Range is -40 to +150°C
- Storage Temperature Range is -55 to +150°C

Package & Dimension



Layout

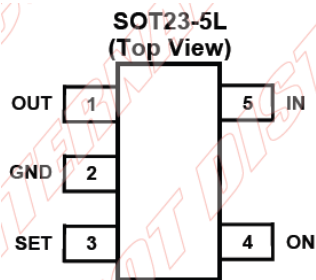


Current Limited Load Switch

Features

- 2.7V to 5.5V Input voltage range
- Programmable over current threshold
- Fast transient response: <1us response to short circuit
- Low quiescent current
- 15uA typical
- 1uA max with Switch off
- Only 2.5V needed for ON/OFF Control
- Under Voltage Lockout
- Thermal shutdown
- Package : SOT23-5L

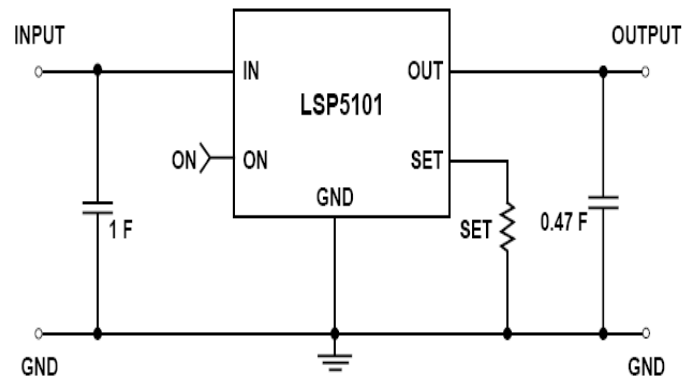
Package & Dimension



Applications

- Peripheral ports
- Notebook computers
- Personal communication devices
- Hot Swap Supplier

Application Circuit

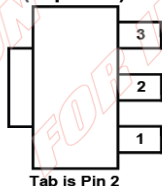


Features

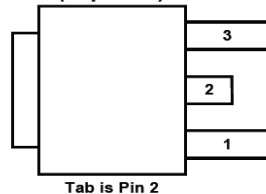
Output Voltage Available in 1.5V, 1.8V, 2.5V and 3.3V
Stable with a Ceramic Output Capacitor of 4.7uF or Higher
Low Dropout Voltage: 500mV at 1 A
Typical low Quiescent Current 40uA
Over Temperature Shutdown
Short Circuit Protection
Package : SOT223-3L, TO252-3L

Package & Dimension

SOT223-3L
(Top View)



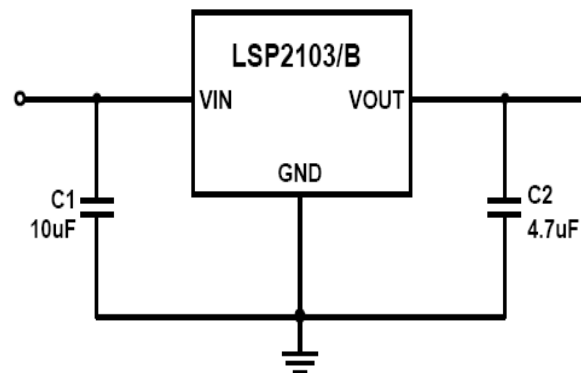
TO252-3L
(Top View)



Applications

- SATA Power Supply
- LCD TV/ Monitors
- Wireless Devices
- Communication Devices
- Portable Electronics
- Post Regulator for SMPS

Application Circuit



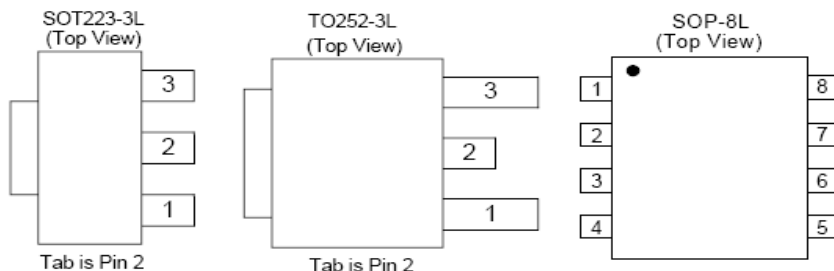
LSP2155

1A LDO CMOS Regulator

Features

- Supports Input Voltage Down to 1.45V
- Output Voltage Available in fixed 1.2V, 1.8V, 2.5V, 3.3V and ADJ version
- Stable with 2.2uF or high Ceramic Output Capacitor
- Low Dropout Voltage: 250mV at 1A
- Low Quiescent Current
- Thermal Shutdown and Short Circuit Protection

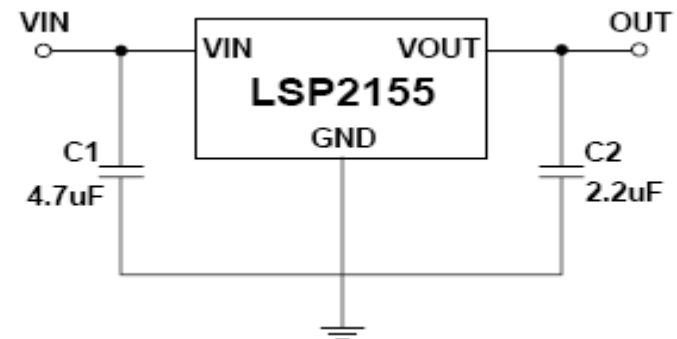
Pin Assignments



Applications

- DSP, FPGA and Microprocessor Power Supplies
- 1.2V Core Voltage for DSPs
- SATA Power Supply
- LCD TV / Monitors
- Wireless Devices
- Communication Devices
- Portable Electronics

Application Circuit



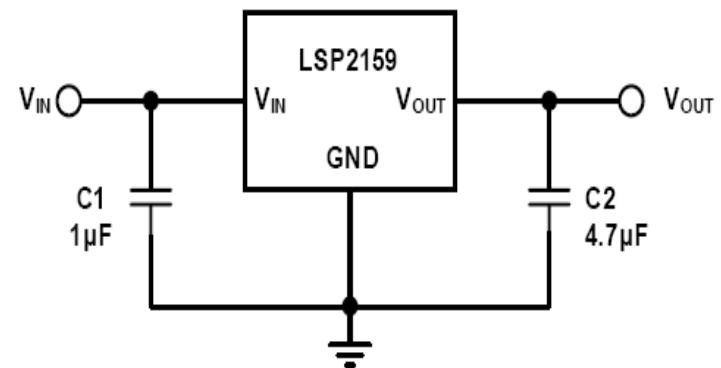
Features

Output Voltage Available in 1.5V,
1.8V,2.5V,2.8V,2.85V,3.0V,3.3V,5.0V
Stable with a Ceramic Output Capacitor of 4.7uF or Higher
Low Dropout Voltage: 600mV at 1.5 A
Typical low Quiescent Current 95uA
Over Temperature Shutdown
Short Circuit Protection
Low Temperature Coefficient
Standard SOT223-3L, TO252-3L and TO263-3L Packages

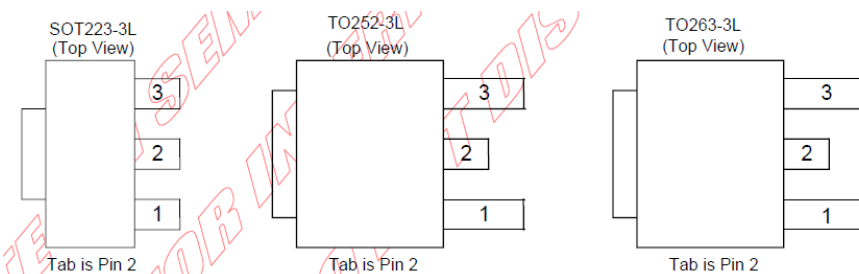
Applications

- SATA Power Supply
- LCD TV/ Monitors
- Wireless Devices
- Communication Devices
- Portable Electronics
- Post Regulator for SMPS

Application Circuit



Package & Dimension

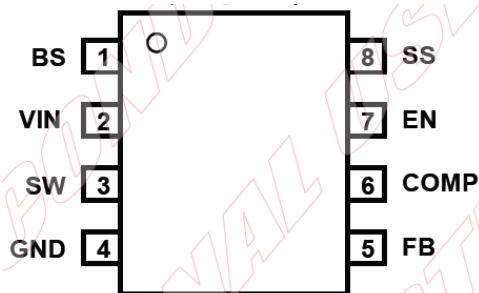


2A Synchronous Step Down DC/DC Converter

Features

- 2A Output Current
- Wide 4.5V to 27V Operating Input Range
- Integrated 120mΩ Power MOSFET Switches
- Output Adjustable from 0.925V to 24V
- Up to 96% Efficiency
- Programmable Soft-Start
- Stable with Low ESR Ceramic Output Capacitors
- Fixed 400KHz Frequency
- Cycle-by-Cycle Over Current Protection
- Input Under Voltage Lockout
- 8-Pin SOP Package

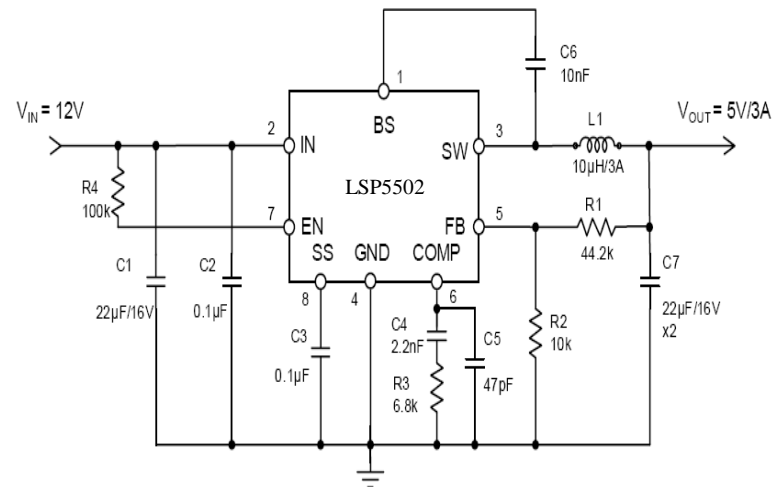
Package & Dimension



Applications

- Distributed Power Systems
- Networking Systems
- FPGA,DSP,ASIC Power Supplies
- Green Electronics / Appliances
- Notebook Computers

Application Circuit



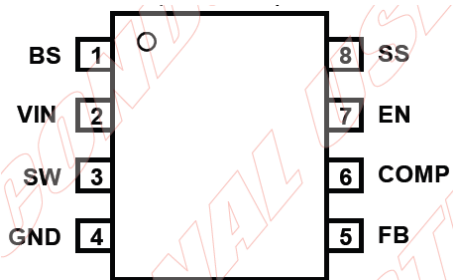
3A 27V SYNC Buck Converter

2A 18V SYNC Buck Converter

Features

- 2A Output Current
- Wide 4.5V to 18V Operating Input Range
- Integrated Power MOSFET Switches
- Output Adjustable from 0.925V to 12V
- Up to 96% Efficiency
- Programmable Soft-Start
- Stable with Low ESR Ceramic Output Capacitors
- Fixed 360KHZ Frequency
- Cycle-by-Cycle Over Current Protection
- Input Under Voltage Lockout
- Package : SOP-8L

Package & Dimension



Applications

- Distributed Power Systems
- Networking Systems
- FPGA,DSP,ASIC Power Supplies
- Green Electronics / Appliances
- Notebook Computers

Application Circuit

